



TANDEMBOX antaro

Rectangular rail with a clear design throughout the whole range





Minimalist design. Proven technology.

TANDEMBOX antaro

The TANDEMBOX drawer system has been impressing furniture users and furniture manufacturers with its proven technology for many years now. We have now developed TANDEMBOX antaro, a new programme line with new design options. TANDEMBOX antaro has a clear style – whether it's open with a gallery or as a closed drawer with a side design element.

All components are colour-coordinated. Minimalist design meets proven technology. That is TANDEMBOX antaro.

- 4–7 **Design**
- 8–15 **Programme**
- 16–17 **Assembly**
- 18–19 **Ideas for practical kitchens**
- 20–23 **Motion technologies**
- 24–25 **TANDEMBOX programme lines**
- 26–63 **Ordering and planning information**
- 64–65 **Blum**

Open, or with a design element. Consistent design





TANDEMBOX antaro starts with your choice of an open drawer, characterised by a rectangular gallery or a closed drawer with a side design element made from glass or metal.



The design – Less is often more.



Square gallery rail

Minimalist style with a sophisticated edge

TANDEMBOX antaro is the creation of a more sophisticated design and modular product offer that provides better design solutions. The silk white colour coordination of the components and clear lines emphasis reflect the simple product design of TANDEMBOX antaro. You can realise the various applications offered by the deeper drawers using the square gallery rail, frosted glass or metal side element.



Frosted glass design element



Metal side design element

The programme – One system for all applications



You have the choice. And all options are available

With TANDEMBOX antaro, you can realise all of your design aspirations. From inner drawers, high fronted pull-outs to open or closed drawers. Even special applications such as the SPACE TOWER pantry unit, the Blum sink pull-out or the SPACE CORNER corner solution are possible.





The programme – Bathroom re-invented



TANDEMBOX antaro offers a complete programme for pull-outs and drawers. Whether in the kitchen, bathroom or living area – all applications are possible with TANDEMBOX antaro.

Nominal lengths	270 - 650 mm
Cabinet widths	275 - 1200 mm
Drawer side heights	N (68.5 mm) M (83.6 mm)



Design elements – Use to attain a unique style

By using the design elements you will be able to fully enclose the drawer and simultaneously present a style statement. Selecting either frosted glass or silk white metal design elements you can reflect your design aspirations.

Frosted glass design elements



C Height Drawer



D Height Drawer

Metal design element in silk white finish



C Height Drawer



D Height Drawer



The programme – Inner dividing system



Practical organisation

The ORGA-LINE inner dividing system is not only practical, but also matches the shape and colour scheme of TANDEMBOX antaro. Storage items are perfectly organised using flexible lateral and cross dividers*. Stainless steel drip trays in the drawers provide high-quality organisation. Very practical: The containers are easy to remove and are dishwasher safe.

*See the ORGA-LINE brochure for more information about this practical organisational tool.



Gallery and front are connected
via INSERTA technology

Assembly – Simple and tool-free



Back gallery rails clip on easily.



Front tilt adjustment



Design element assembly is very easy. Simply slide in and connect to the back locking piece.

It is important to us that assembly is as quick and easy as possible. Using the proven INSERTA technology assembly is completely tool-free.

The TANDEMBOX program line is based on the established cabinet profile. This is a real advantage especially when you are assembling different programme lines. The drilling and cutting dimensions remain the same and familiar assembly devices support efficient assembly.



[View assembly video](#)



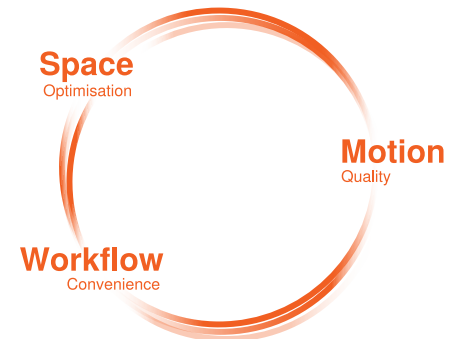
Ideas from Blum
for practical kitchens



DYNAMIC SPACE - Ideas from Blum for practical kitchens

Kitchens that prove themselves everyday are both beautiful and practical. The three important features of a practical kitchen include simple work processes, enough storage space and ease of use. At Blum, this means workflow, space and motion.

With DYNAMIC SPACE we offer helpful ideas, suggestions and solutions for making today's kitchen even more practical.



Workflow - Give yourself easy access

Thanks to full extension drawers and pull-outs, even those items in the farthest corner are visible and easy to reach. The right ORGA-LINE inner dividing system provides additional organisation and overview. In this way, TANDEMBOX antaro supports simple workflows in the kitchen.



Space - Optimal cabinet utilisation with TANDEMBOX antaro

TANDEMBOX antaro can also be used as an enclosed drawer with glass or metal design elements. Products are easier to stack, thus creating up to 55% more storage space. You can also achieve special solutions such as the Blum sink pull-out with TANDEMBOX antaro, gaining additional storage space from previous unused areas.



Motion - Enhanced user convenience and quality of motion

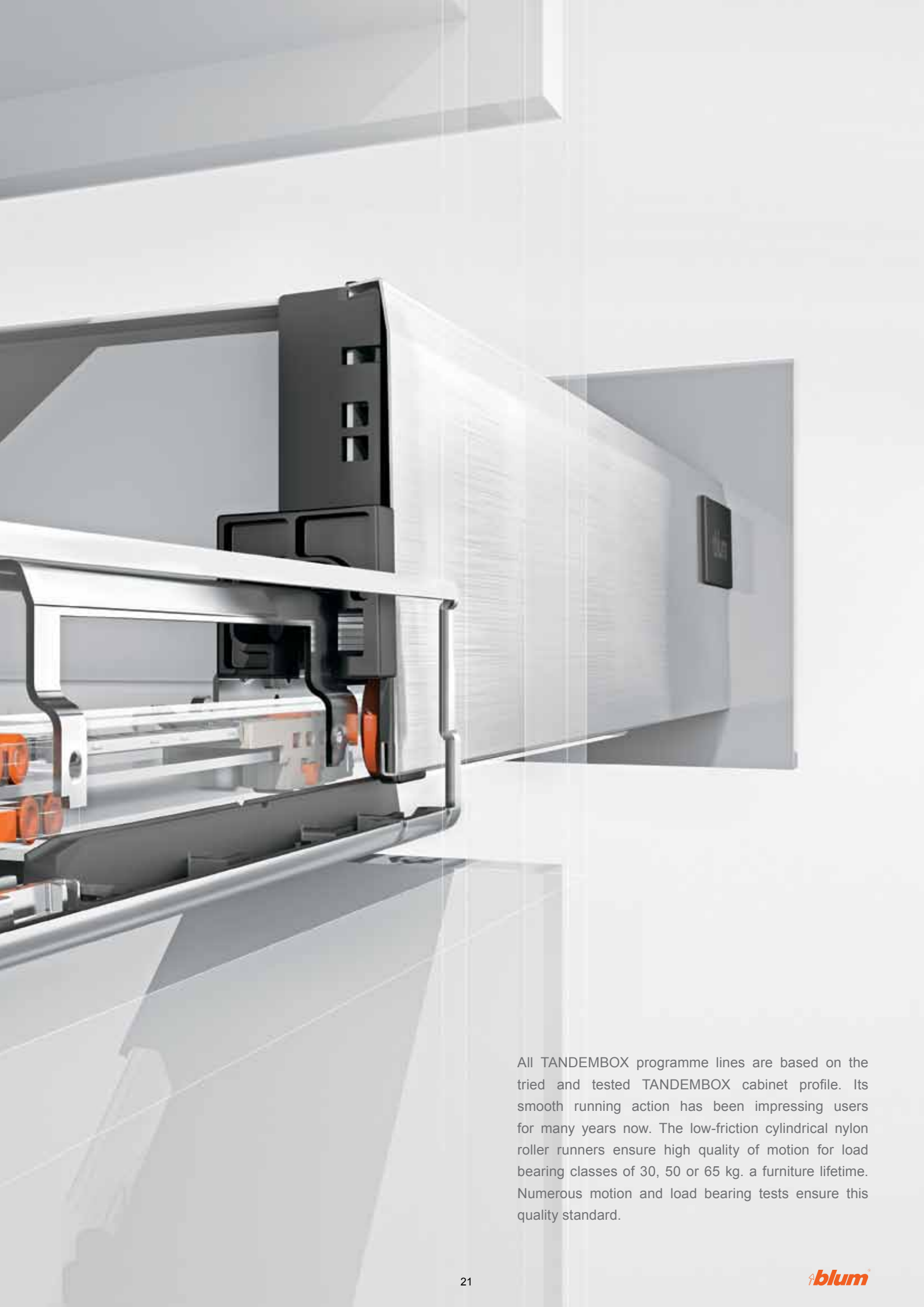
The BLUMOTION function is integrated into TANDEMBOX cabinet profiles. Thus pull-outs always close silently and effortlessly regardless of how much force is used for closing.

TANDEMBOX antaro can also be equipped with SERVO-DRIVE electrical opening support system. A light touch on the front is enough and pull-outs open as if by themselves.



The TANDEMBOX cabinet profile – Three lines.
One solution





All TANDEMBOX programme lines are based on the tried and tested TANDEMBOX cabinet profile. Its smooth running action has been impressing users for many years now. The low-friction cylindrical nylon roller runners ensure high quality of motion for load bearing classes of 30, 50 or 65 kg. a furniture lifetime. Numerous motion and load bearing tests ensure this quality standard.



Fascinating action when opening and closing

TANDEMBOX antaro can be used with all Blum motion technologies:

BLUMOTION inside



BLUMOTION

With BLUMOTION, pull-outs close silently and effortlessly. It doesn't matter how much force is used to close drawers and pull-outs or how heavily laden they are.

SERVO-DRIVE inside



SERVO-DRIVE

A light touch on a handle-less front or a light pull of the handle – that's all it takes to open drawers and pull-outs with the SERVO-DRIVE electrical motion support system:

Also with integrated BLUMOTION closing is always silent offering the highest comfort of motion to the user.

TIP-ON inside



TIP-ON

Our mechanical opening support system TIP-ON offers practical opening comfort: Handle-less pull-outs, doors and lift systems will open at a single touch. The pull-out closes with a light press.

*Note: TIP-ON cannot be used in combination with BLUMOTION.

Top-quality motion throughout the kitchen

Along with pull-outs, lift systems and doors can also be equipped with this comfort of motion.

For lift systems: BLUMOTION, SERVO-DRIVE, TIP-ON

For doors: BLUMOTION, TIP-ON

TANDEMBOX – One programme. Three lines.

One Proven system. Various interpretations


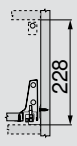



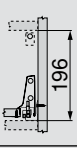

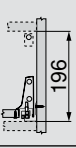

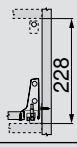



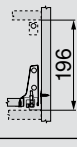



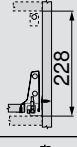

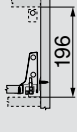
With the TANDEMBOX program, you can fulfil various customer requirements with just one box system. This is because the TANDEMBOX intivo, TANDEMBOX antaro and TANDEMBOX plus lines have many different design options. The proven TANDEMBOX cabinet profile ensures smooth running action for all three programme lines.

Overview – applications


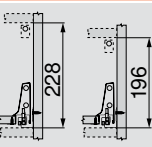

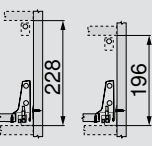
Standard cabinet

High fronted pull-out




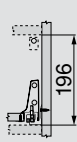
Inner pull-out

	High fronted pull-out – gallery – D – M drawer side	28			Inner pull-out – gallery – D – M drawer side	32	
	High fronted pull-out – gallery – C – M drawer side	30			Inner pull-out – gallery – C – M drawer side	34	
	Design element – D – M drawer side	36			Design element – D – M drawer side	36	
	Design element – C – M drawer side	37			Design element – C – M drawer side	37	
	High fronted pull-out with an alu frame – gallery – D – M drawer side	38					
	High fronted pull-out with an alu frame – gallery – C – M drawer side	38					

Corner cabinet




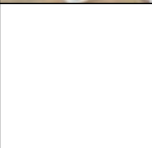

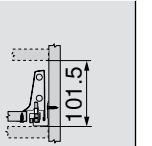

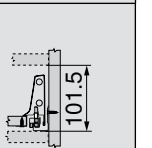

	SPACE CORNER with SYNCROMOTION – gallery – D/C – M drawer side	40	
	SPACE CORNER with rigid fronts – gallery – D – M drawer side	41	

Sink cabinet


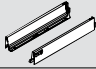

	Sink pull-out – gallery – D – M drawer side	42	
	Sink pull-out – gallery – C – M drawer side	44	

Overview – applications

Standard cabinet

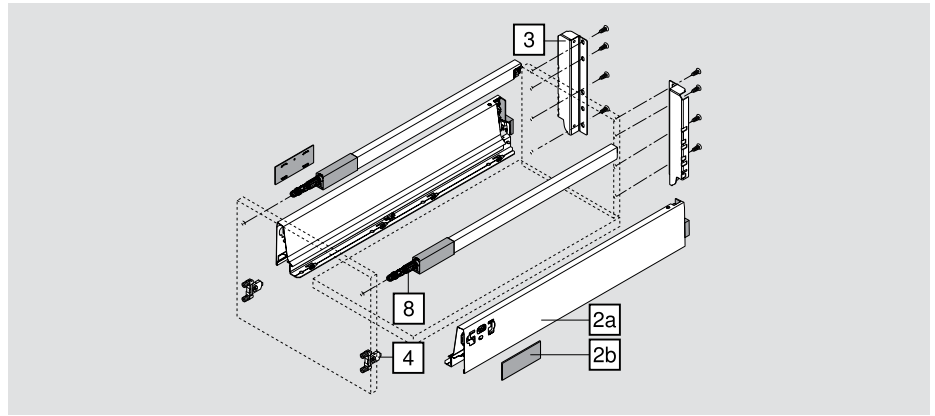
Drawer			Inner drawer		
	Drawer – M	46		Inner drawer – M	50
	Drawer – N	48			
Corner cabinet					
	SPACE CORNER with SYNCROMOTION – M	40			
	SPACE CORNER with rigid fronts – M	41			
ORGA-LINE			Accessories		
	Cross gallery	54		TANDEMBOX cabinet profile	52
				Back and gallery fixing – B – M drawer side	53

Information

Colour variants	Abbreviations	Combination of finishes	
Silk white	SW		
		Silk white	
			

Order specification

High fronted pull-out – gallery – D – M drawer side



2a, 2b	Drawer sides and cover caps left/right		
	Colour variants	SW	
	Nominal length		Steel
	350 mm		358M3502SA
	400 mm		358M4002SA
	450 mm		358M4502SA
	500 mm		358M5002SA
	550 mm		358M5502SA
	650 mm		359M6502SA

8	Longside gallery rail left/right		
	Colour variants	SW	
	Nominal length NL		Steel
	350 mm		ZRG.287RSIC*
	400 mm		ZRG.337RSIC*
	450 mm		ZRG.387RSIC*
	500 mm		ZRG.437RSIC*
	550 mm		ZRG.487RSIC*
	650 mm		ZRG.587RSIC*

3	Back fixing and gallery fixing left/right		
	Colour variants	SW	
			Steel
			Z30D000SL

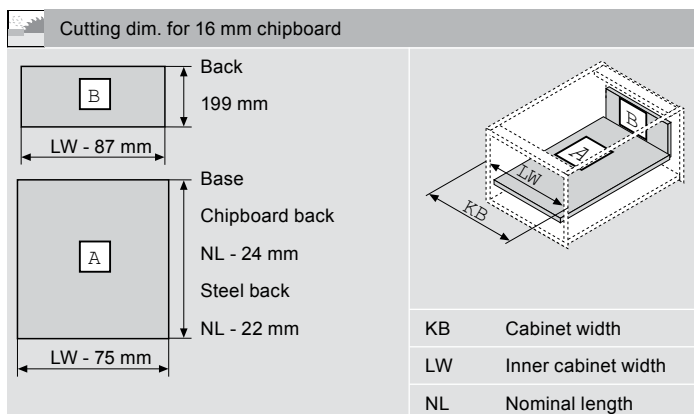
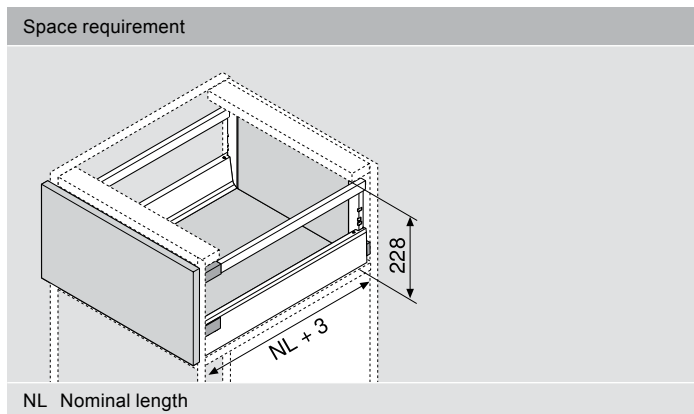
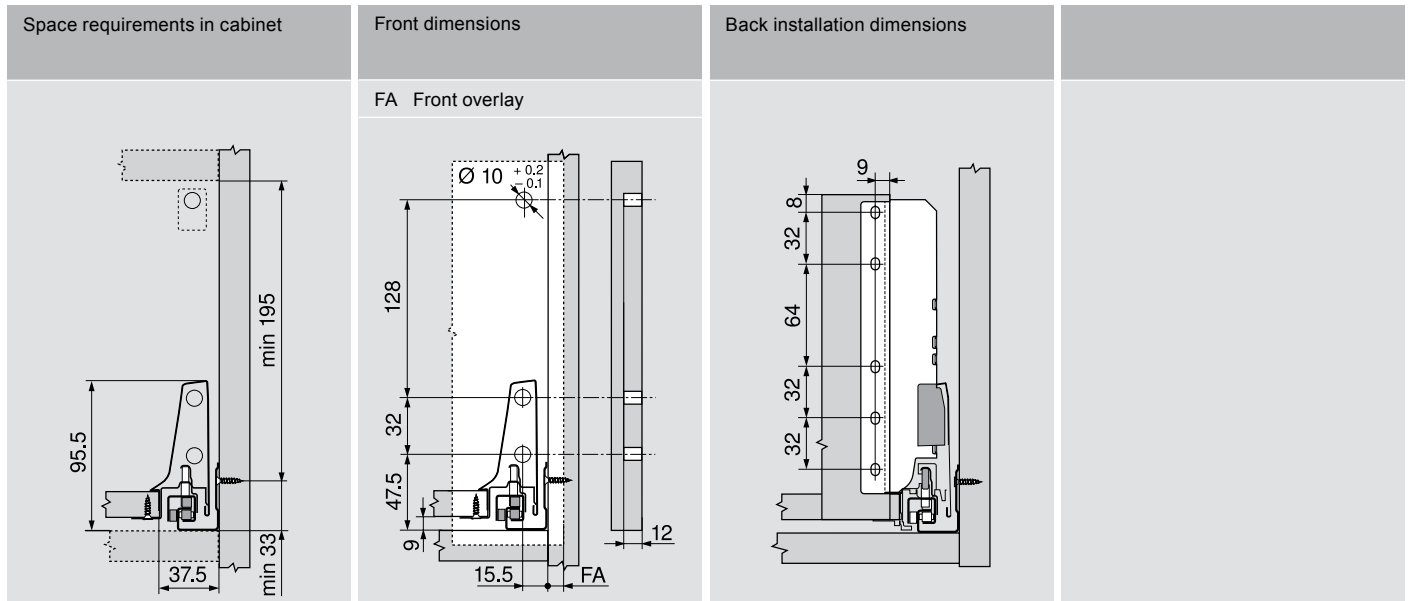
Front stabilisation		
	For stabilising wide and high fronts	Z96.10E1
	Reinforces the connection between the drawer side and the front	
	Planning	29

4	Front fixing bracket		
	INSERTA version	2x	ZSF.3902
	Screw-on version	2x	ZSF.3502

Page instructions	
Additional parts for an aluminium front	38
Design element	38
TANDEMBOX cabinet profile	52

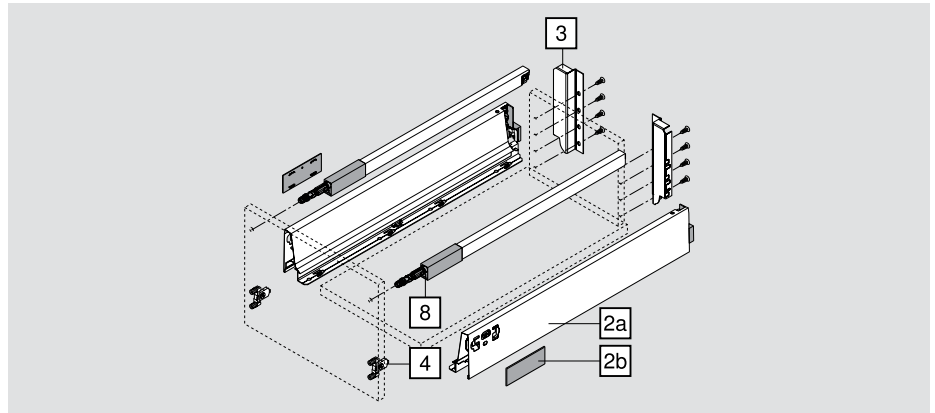
Planning information

High fronted pull-out – gallery – D – M drawer side



Order specification

High fronted pull-out – gallery – C – M drawer side



2a, 2b	Drawer sides and cover caps left/right	
	Colour variants	SW
	Nominal length	Steel
	350 mm	358M3502SA
	400 mm	358M4002SA
	450 mm	358M4502SA
	500 mm	358M5002SA
	550 mm	358M5502SA
	650 mm	359M6502SA

8	Longside gallery rail left/right	
	Colour variants	SW
	Nominal length NL	Steel
	350 mm	ZRG.287RSIC*
	400 mm	ZRG.337RSIC*
	450 mm	ZRG.387RSIC*
	500 mm	ZRG.437RSIC*
	550 mm	ZRG.487RSIC*
	650 mm	ZRG.587RSIC*

3	Back fixing and gallery fixing left/right	
	Colour variants	SW
		Steel
		Z30C000S

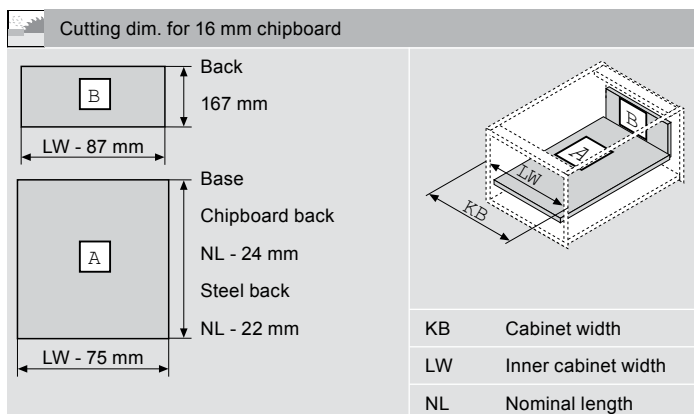
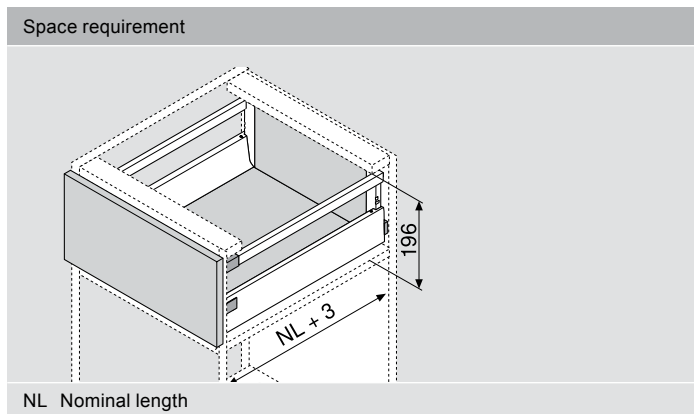
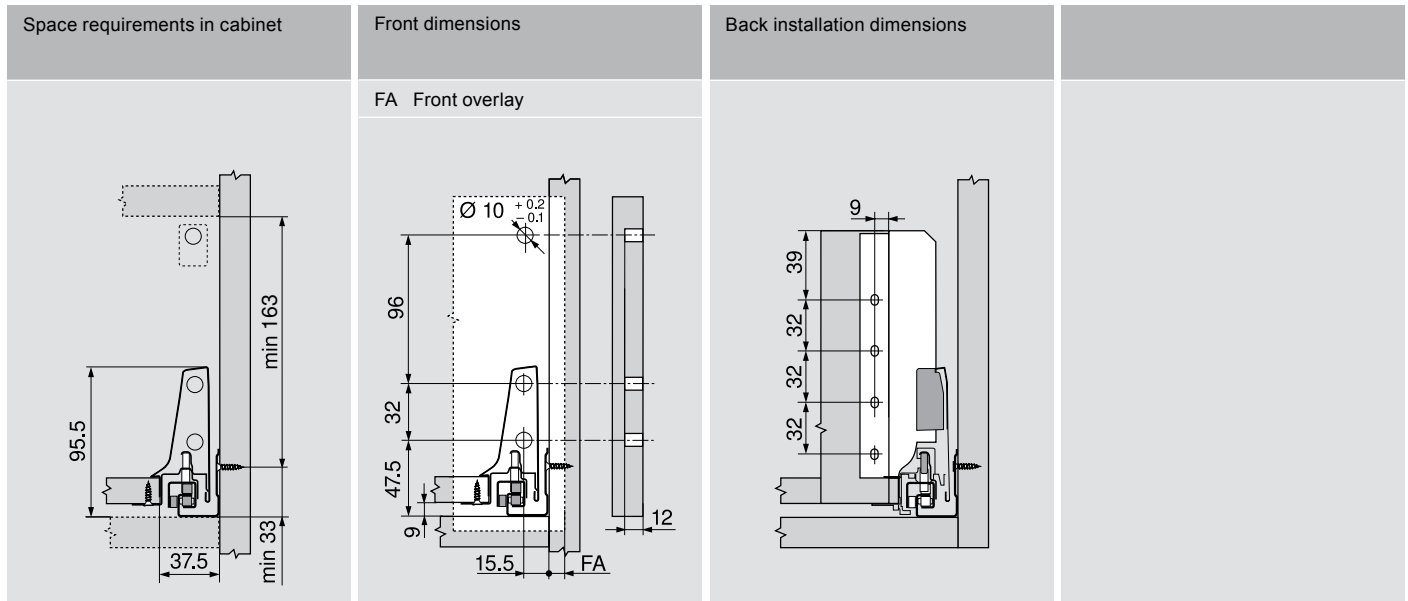
Front stabilisation		
	For stabilising wide and high fronts	Z96.10E1
	Reinforces the connection between the drawer side and the front	
	Planning	31

4	Front fixing bracket	
	INSERTA version	2x ZSF.3902
	Screw-on version	2x ZSF.3502

Page instructions	
Additional parts for an aluminium front	38
Design element	38
TANDEMBOX cabinet profile	52

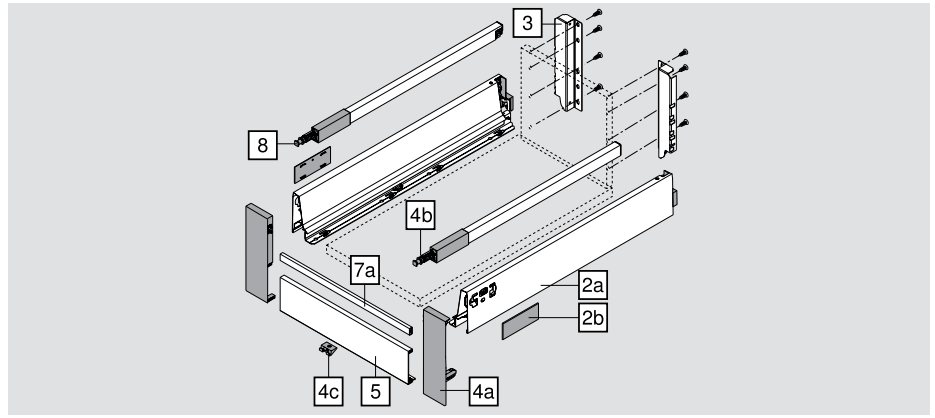
Planning information

High fronted pull-out – gallery – C – M drawer side

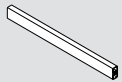


Order specification

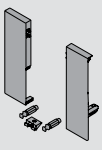
Inner pull-out – gallery – D – M drawer side



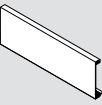
2a, 2b	Drawer sides and cover caps left/right		
	Colour variants	SW	
	Nominal length		Steel
	400 mm		358M4002SA
	450 mm		358M4502SA
	500 mm		358M5002SA
	550 mm		358M5502SA
	650 mm		359M6502SA

7a	Cross gallery		
	Colour variants	SW	
			Aluminium
	For cutting to size		ZRG.1046Z

8	Longside gallery rail left/right		
	Colour variants	SW	
	Nominal length NL		Steel
	400 mm		ZRG.337RSIC*
	450 mm		ZRG.387RSIC*
	500 mm		ZRG.437RSIC*
	550 mm		ZRG.487RSIC*
	650 mm		ZRG.587RSIC*

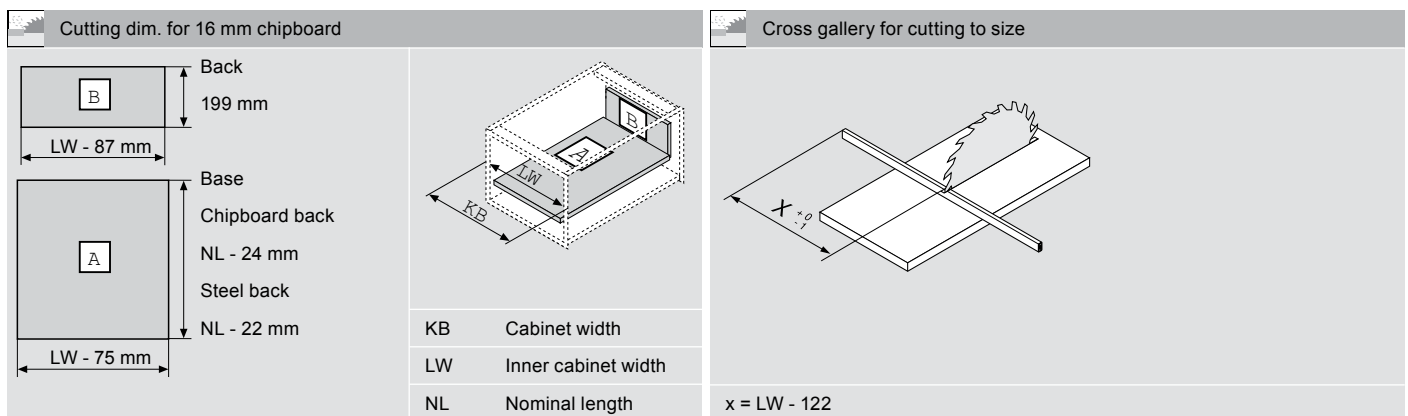
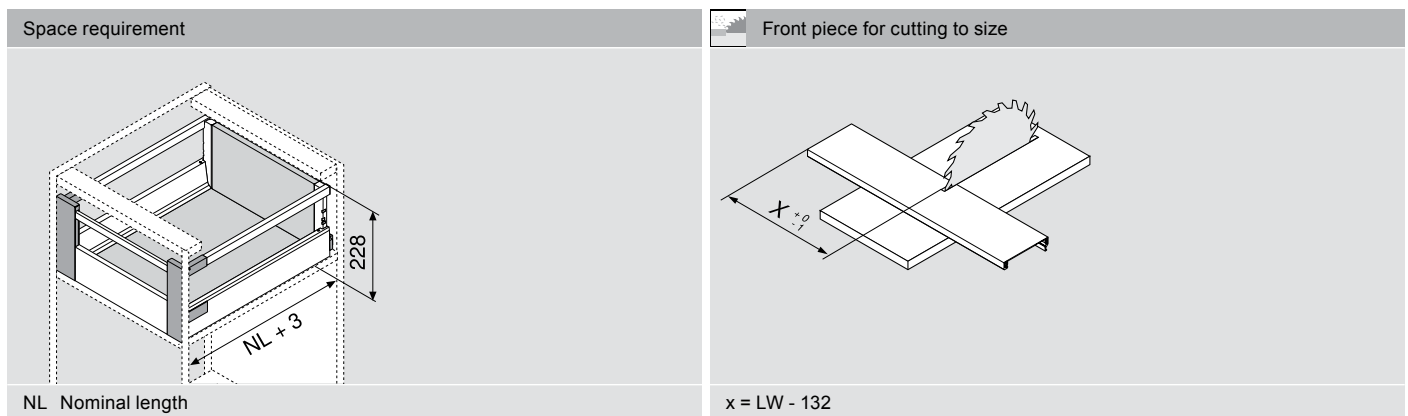
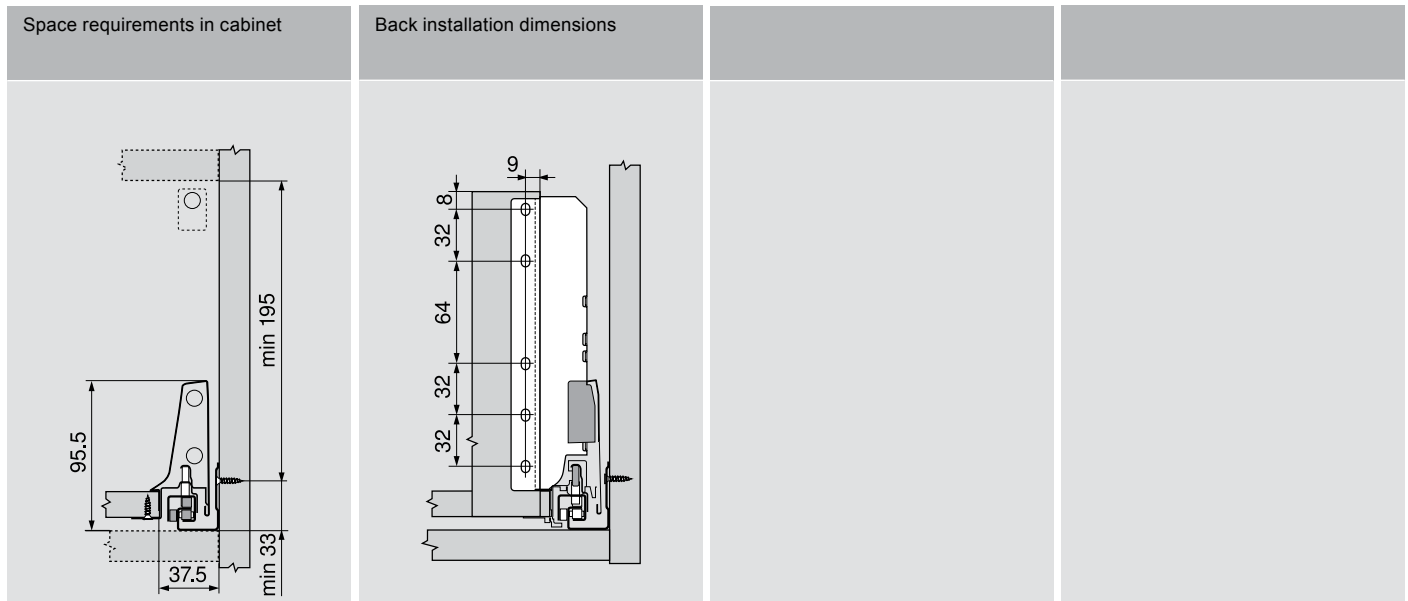
4a, 4b, 4c	Front fixing left/right		
	Colour variants	SW	
			Nylon
			ZIF.74D0
	Incl. locking piece Z31A0008		
	Incl. 2x gallery heads ZRG.000R5F		

Page instructions	
Design element	36
TANDEMBOX cabinet profile	52

5	Front section		
	Colour variants	SW	
			Aluminium
	For cutting to size		Z31L1036A

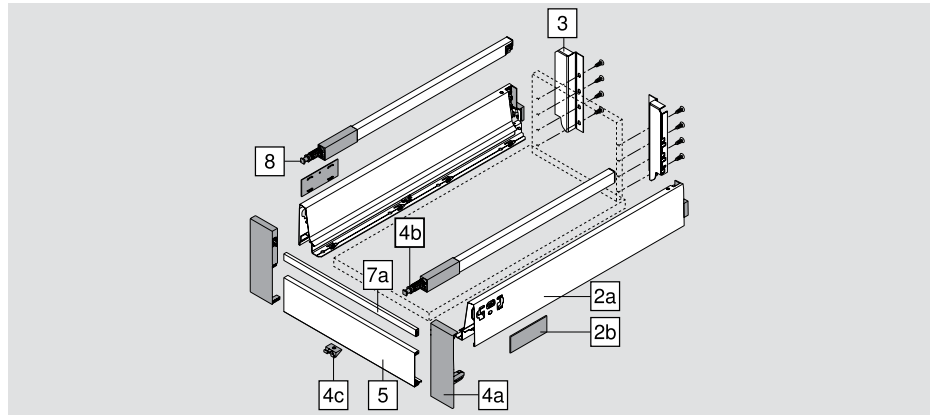
Planning information

Inner pull-out – gallery – D – M drawer side

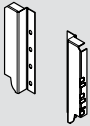


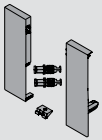
Order specification

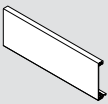
Inner pull-out – gallery – C – M drawer side

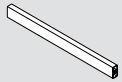


2a, 2b	Drawer sides and cover caps left/right	
	Colour variants	SW
	Nominal length	Steel
	400 mm	358M4002SA
	450 mm	358M4502SA
	500 mm	358M5002SA
	550 mm	358M5502SA
	650 mm	359M6502SA

3	Back fixing and gallery fixing left/right	
	Colour variants	SW
		Steel
		Z30C000S

4a, 4b, 4c	Front fixing left/right	
	Colour variants	SW
		Nylon
		ZIF.74C0
	Incl. locking piece Z31A0008	
	Incl. 2x gallery heads ZRG.000R5F	

5	Front section	
	Colour variants	SW
		Aluminium
	For cutting to size	Z31L1036A

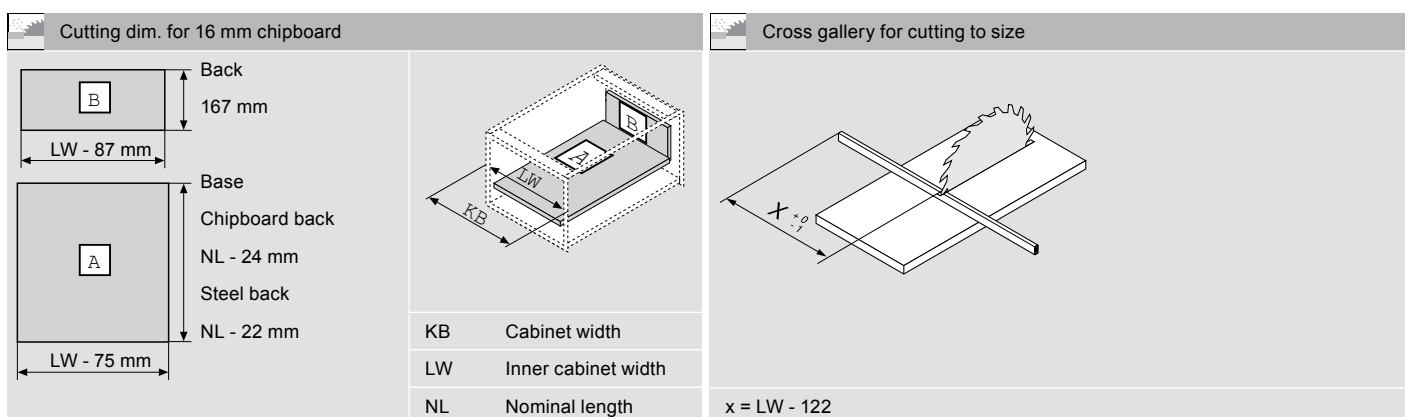
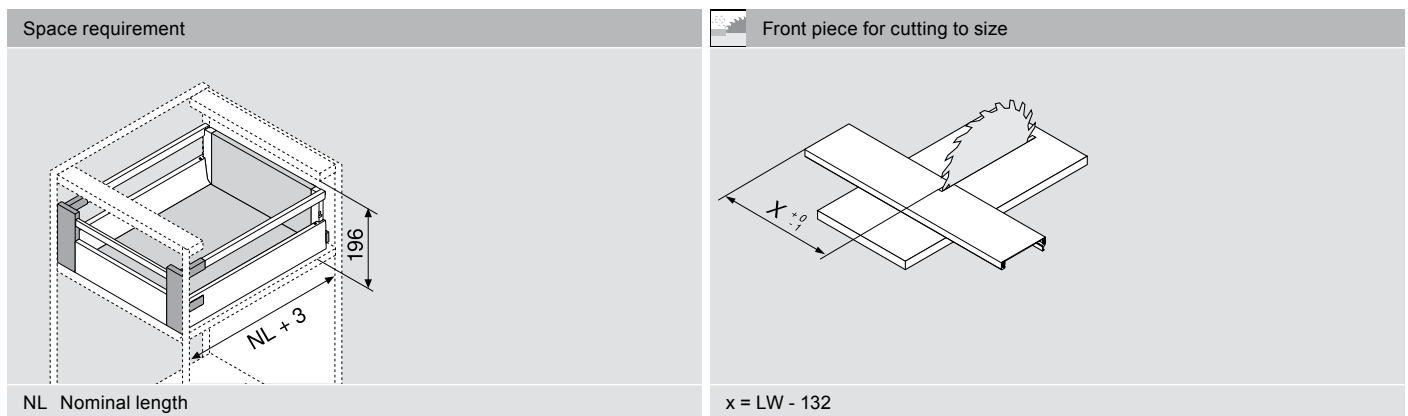
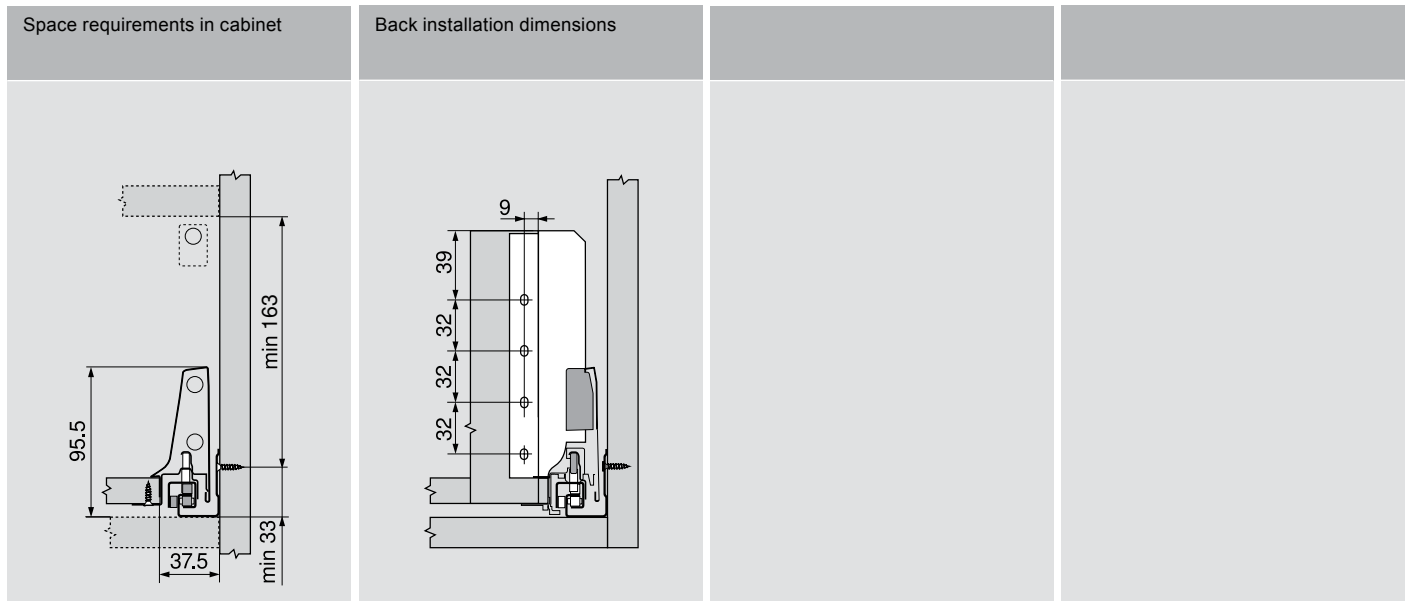
7a	Cross gallery	
	Colour variants	SW
		Aluminium
	For cutting to size	ZRG.1046Z

8	Longside gallery rail left/right	
	Colour variants	SW
	Nominal length NL	Steel
	400 mm	ZRG.337RSIC*
	450 mm	ZRG.387RSIC*
	500 mm	ZRG.437RSIC*
	550 mm	ZRG.487RSIC*
	650 mm	ZRG.587RSIC*

Page instructions	
Design element	37
TANDEMBOX cabinet profile	52

Planning information

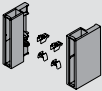
Inner pull-out – gallery – C – M drawer side

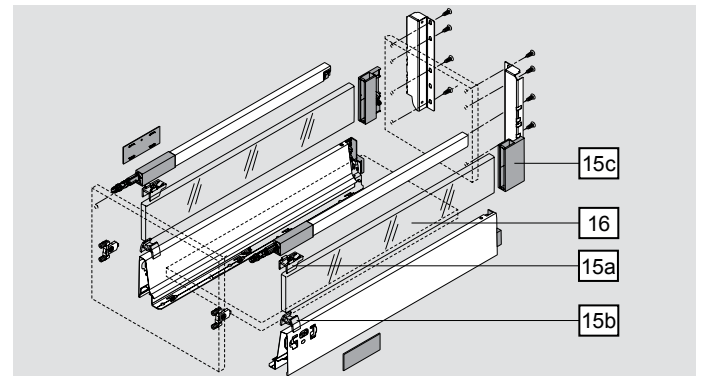


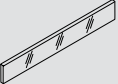
Order specification

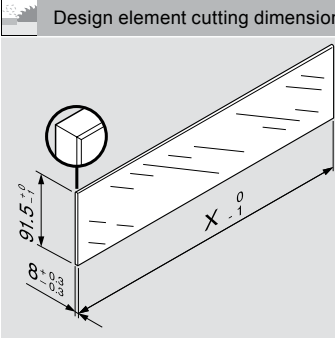
Design element – D – M drawer side

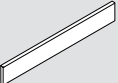


	Locking piece set		
	Colour variants	SW	Nylon
	Includes:	Z36D0080	
15a	2x locking pieces front upper (transparent)		
15b	2x locking pieces front lower (transparent)		
15c	1x locking piece left/right		



16	Design element		
	Nominal length		Frosted Glass
	400 mm	2x	Z37R367D
	450 mm	2x	Z37R417D
	500 mm	2x	Z37R467D
	550 mm	2x	Z37R517D
	650 mm	2x	Z37R617D

	<p>Design element cutting dimensions</p> <p>According to standard (DIN EN 14749 Edition Nov. 2005) no safety glass is stipulated in combination with TANDEMBOX antaro.</p> <p>The edge is a polished flat-ended edge with a 1 mm +/-0.5 mm bevel.</p>
x = NL - 33	

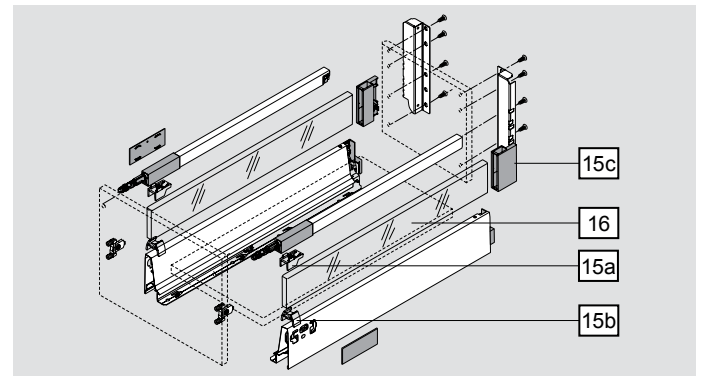
16	Metal design element (can be cut down to suit smaller NL)		
	Colour variants	SW	Aluminium
	Nominal length		
	450 mm	2x	Z37A417D
	500 mm	2x	Z37A467D
	550 mm	2x	Z37A517D
	650 mm	2x	Z37A617D

Order specification

Design element – C – M drawer side



	Locking piece set		
	Colour variants	SW	
			Nylon
	Includes:		Z36C0080
15a	2x locking pieces front upper (transparent)		
15b	2x locking pieces front lower (transparent)		
15c	1x locking piece left/right		



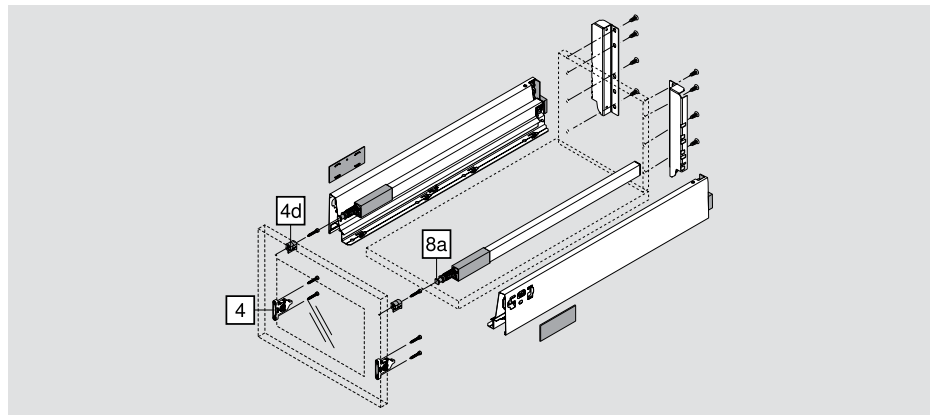
16	Design element		
	Nominal length		Frosted Glass
	400 mm	2x	Z37R367C
	450 mm	2x	Z37R417C
	500 mm	2x	Z37R467C
	550 mm	2x	Z37R517C
	650 mm	2x	Z37R617C


	<p>Design element cutting dimensions</p> <p>According to standard (DIN EN 14749 Edition Nov. 2005) no safety glass is stipulated in combination with TANDEMBOX antaro.</p> <p>The edge is a polished flat-ended edge with a 1 mm +/-0.5 mm bevel.</p>
x = NL - 33	


16	Metal design element (can be cut down to suit smaller NL)		
	Colour variants	SW	
	Nominal length		Aluminium
	450 mm	2x	Z37A417C
	500 mm	2x	Z37A467C
	550 mm	2x	Z37A517C
	650 mm	2x	Z37A617C


Order specification

High fronted pull-out with an alu frame – gallery – D/C – M drawer side



4	Front fixing bracket		
	Screw-on version	2x	ZSF.3502

4d	Adapter for alu frames, symmetrical		
	Colour variants		natural/white
			Nylon
		2x	ZRF.2200.01

8a	Gallery head		
	Colour variants		natural/white
			Nylon
		2x	ZRG.000R5F

Page instructions	
Design element	36/37
TANDEMBOX cabinet profile	52

Planning information

High fronted pull-out with an alu frame – gallery – D/C – M drawer side

Space requirements in cabinet	Front dimensions	Back installation dimensions	
<p>95.5 37.5 min 33 min 195*</p>	<p>FA Front overlay</p> <p>128* 32 47.5 9 15.5 FA Ø 2.5</p>	<p>Height D</p> <p>9 8 32 64 32 32</p>	<p>Height C</p> <p>9 39 32 32 32</p>
* Height C min 163	* Height C 96		

Space requirement
<p>228* NL + 3</p>
* Height C 196
NL Nominal length

Cutting dim. for 16 mm chipboard	
<p>Back 199 mm* LW - 87 mm</p>	<p>A B LW KB</p>
<p>Base Chipboard back NL - 24 mm Steel back NL - 22 mm LW - 75 mm</p>	
* Height C 167	<p>KB Cabinet width</p> <p>LW Inner cabinet width</p> <p>NL Nominal length</p>

Page instructions

Assembly, removal and adjustment

58

Order specification

SPACE CORNER with SYNCROMOTION



Icon image

High fronted pull-out		Colour
	SPACE CORNER with SYNCROMOTION – gallery – D	
		SW
		Steel

High fronted pull-out		Colour
	SPACE CORNER with SYNCROMOTION – gallery – C	
		SW
		Steel

Drawer		Colour
	SPACE CORNER with SYNCROMOTION – M	
		SW
		Steel

Please use our **DYNALOG** software for planning, ordering and assembly.


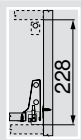
Order specification	
Design element	36/37
TANDEMBOX cabinet profile	52


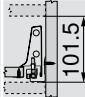
Order specification

SPACE CORNER with rigid fronts



Icon image

High fronted pull-out		Colour	
	SPACE CORNER with Rigid fronts – gallery – D		
			SW
			Steel

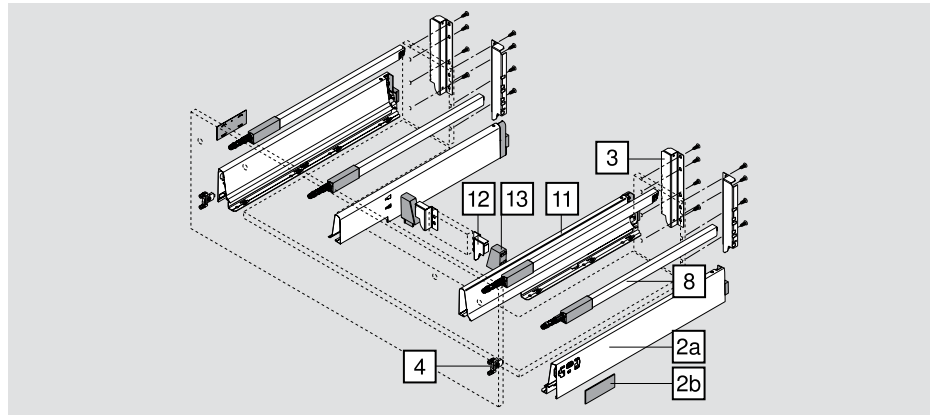
Drawer		Colour	
	SPACE CORNER with Rigid fronts – M		
			SW
			Steel

Please use our **DYNALOG** software for planning, ordering and assembly.

Order specification	
Design element	36/37
TANDEMBOX cabinet profile	52

Order specification

Sink pull-out – gallery – D – M drawer side



2a, 2b	Drawer sides and cover caps left/right		
	Colour variants	SW	
	Nominal length		Steel
	450 mm		358M4502SA
	500 mm		358M5002SA
	550 mm		358M5502SA

11	Sink drawer side left/right		
	Colour variants	SW	
	Nominal length		Steel
	450 mm		358M4504SG
	500 mm		358M5004SG
	550 mm		358M5504SG

3	Back fixing and gallery fixing left/right		
	Colour variants	SW	
			Steel
		2x	Z30D000SL

12	Back fixing left/right		
	Colour variants	SW	
			Steel
			Z30N000S.04

4	Front fixing bracket		
	INSERTA version	2x	ZSF.3902
	Screw-on version	2x	ZSF.3502

13	Adapter left/right		
	Colour variants		RAL7037
			Nylon
			Z30N0002.6Z

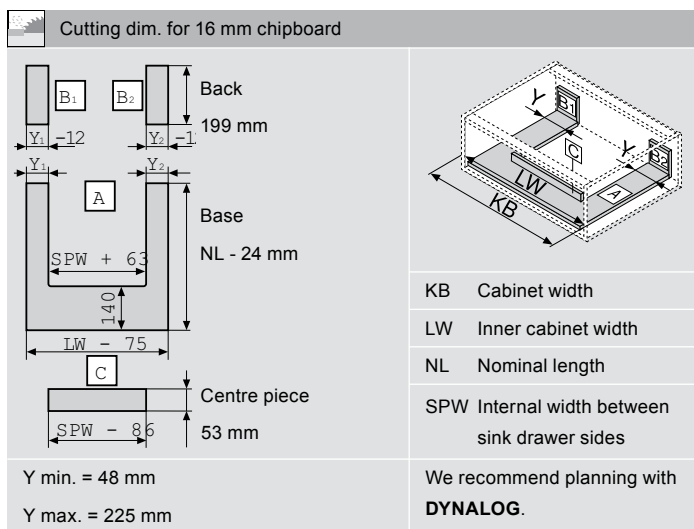
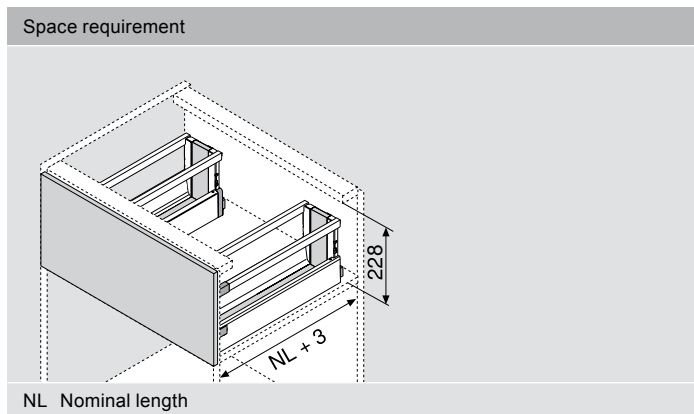
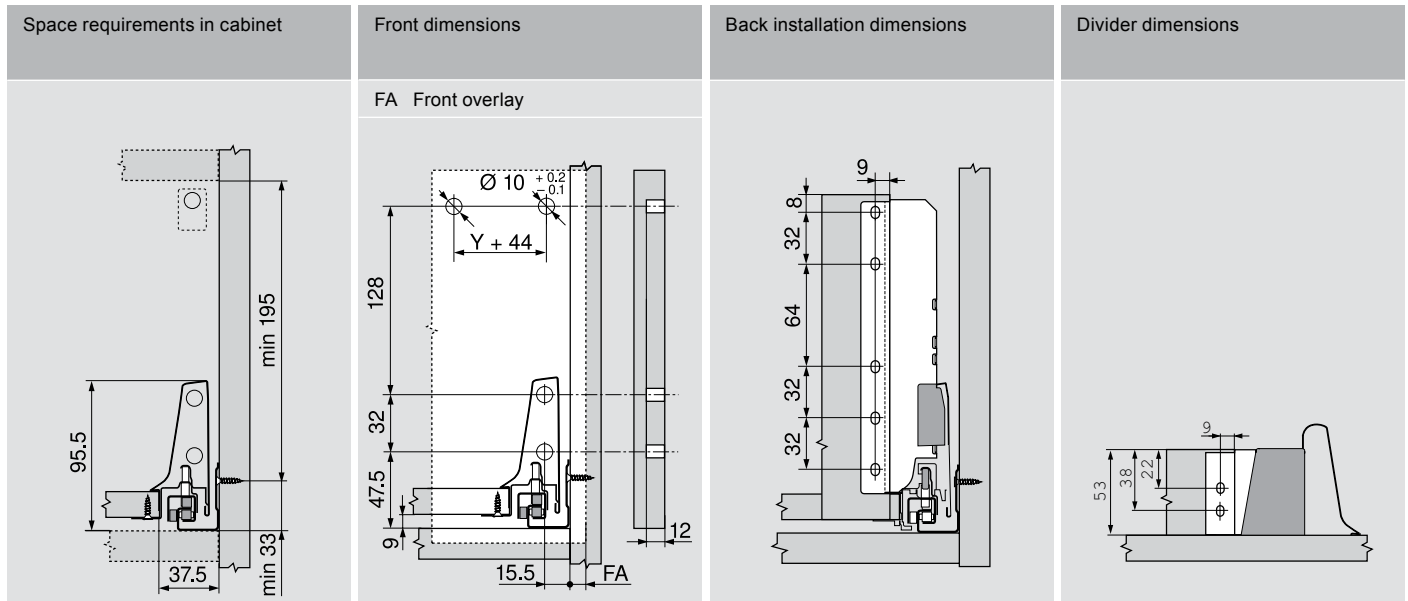
8	Longside gallery rail left/right		
	Colour variants	SW	
	Nominal length NL		Steel
	450 mm	2x	ZRG.387RSIC*
	500 mm	2x	ZRG.437RSIC*
	550 mm	2x	ZRG.487RSIC*
	650 mm	2x	ZRG.587RSIC*

	Front stabilisation		
	For stabilising wide and high fronts		Z96.10E1
	Reinforces the connection between the drawer side and the front		
	Planning		43

Page instructions	
Design element	36
TANDEMBOX cabinet profile	52

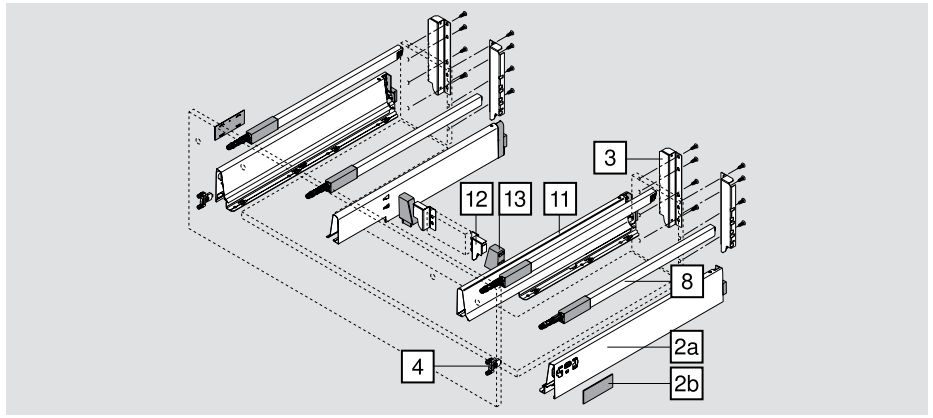
Planning information

Sink pull-out – gallery – D – M drawer side

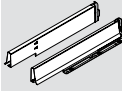


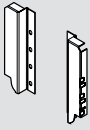
Order specification


Sink pull-out – gallery – C – M drawer side




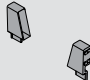
2a, 2b	Drawer sides and cover caps left/right		
	Colour variants	SW	
	Nominal length		Steel
	450 mm		358M4502SA
	500 mm		358M5002SA
	550 mm		358M5502SA

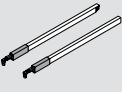
11	Sink drawer side left/right		
	Colour variants	SW	
	Nominal length		Steel
	450 mm		358M4504SG
	500 mm		358M5004SG
	550 mm		358M5504SG

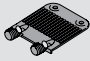
3	Back fixing and gallery fixing left/right		
	Colour variants	SW	
			Steel
		2x	Z30C000S

12	Back fixing left/right		
	Colour variants	SW	
			Steel
			Z30N000S.04

4	Front fixing bracket		
	INSERTA version	2x	ZSF.3902
	Screw-on version	2x	ZSF.3502

13	Adapter left/right		
	Colour variants		RAL7037
			Nylon
			Z30N0002.6Z

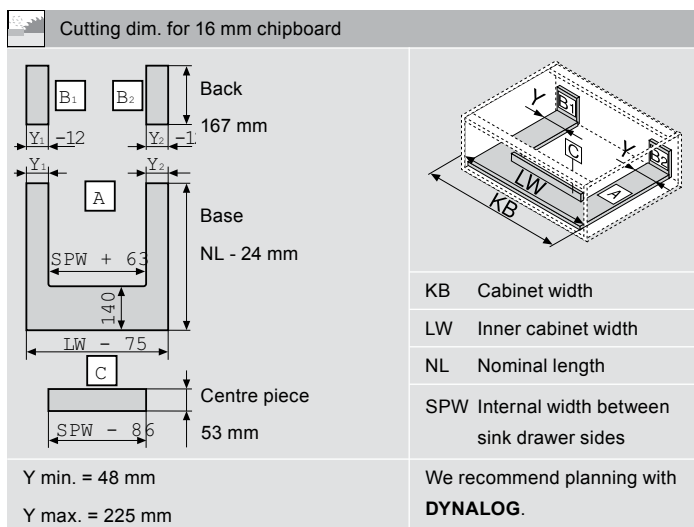
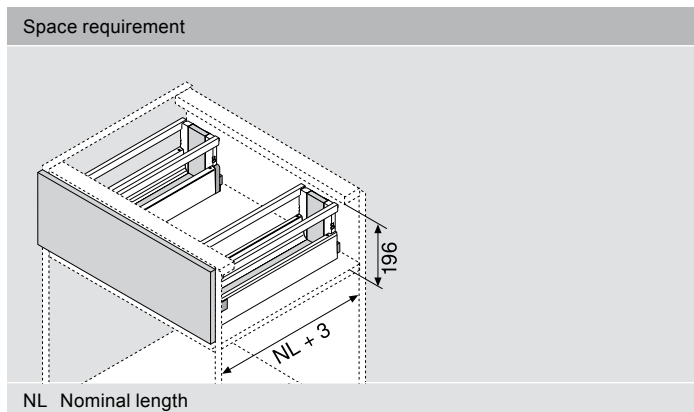
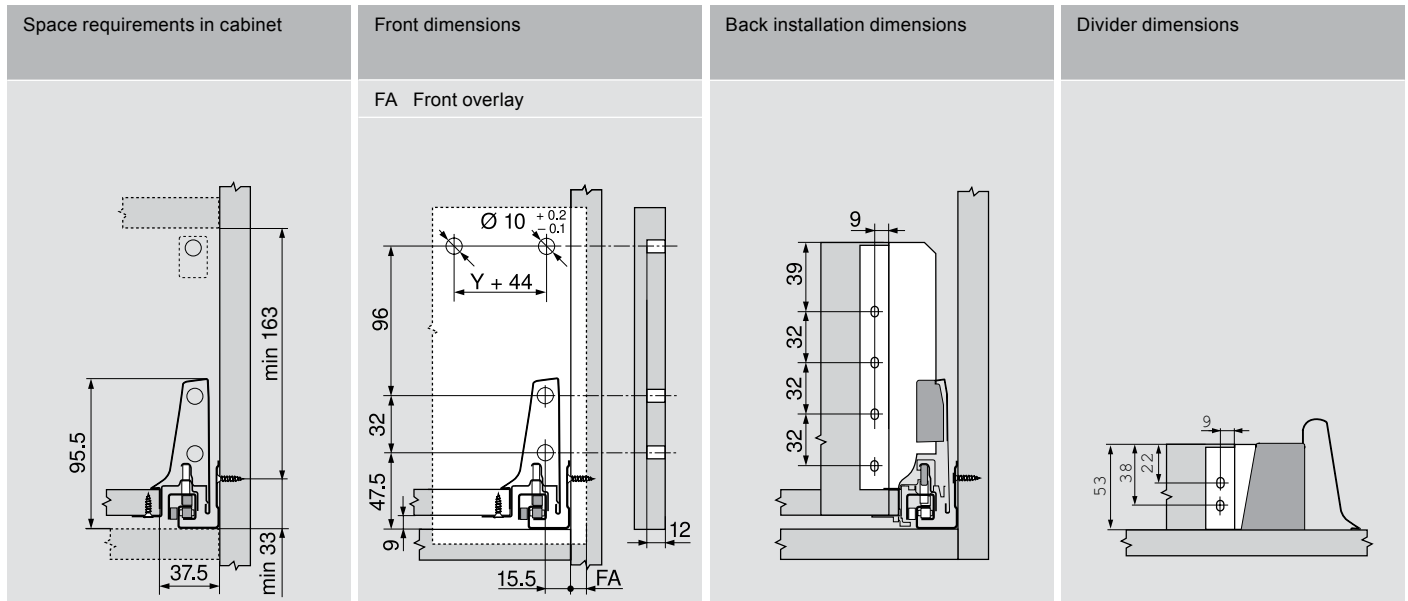
8	Longside gallery rail left/right		
	Colour variants	SW	
	Nominal length NL		Steel
	450 mm	2x	ZRG.387RSIC*
	500 mm	2x	ZRG.437RSIC*
	550 mm	2x	ZRG.487RSIC*
	650 mm	2x	ZRG.587RSIC*

	Front stabilisation		
	For stabilising wide and high fronts		Z96.10E1
	Reinforces the connection between the drawer side and the front		
	Planning		44

Page instructions	
Design element	37
TANDEMBOX cabinet profile	52

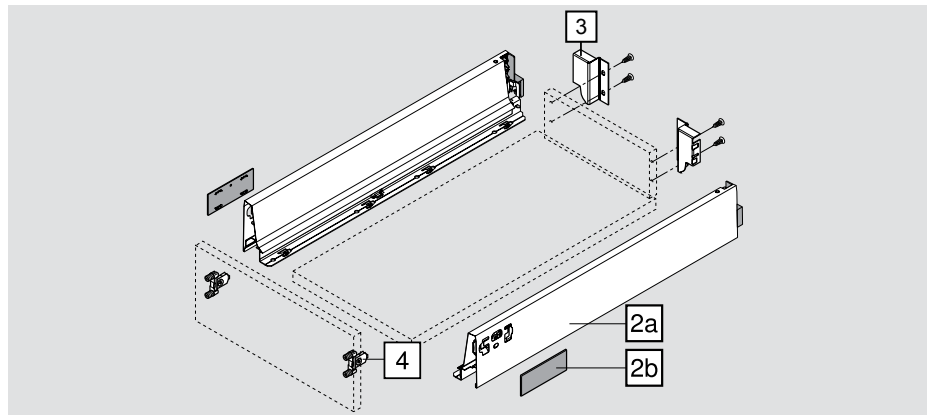
Planning information

Sink pull-out – gallery – C – M drawer side

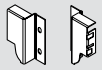



Order specification

Drawer – M



2a, 2b	Drawer sides and cover caps left/right		
	Colour variants	SW	
	Nominal length		Steel
	270 mm		358M2702SA
	350 mm		358M3502SA
	400 mm		358M4002SA
	450 mm		358M4502SA
	500 mm		358M5002SA
	550 mm		358M5502SA
650 mm		359M6502SA	

3	Back fixing left/right		
	Colour variants	SW	
			Steel
			Z30M000S.04

4	Front fixing bracket		
	INSERTA version	2x	ZSF.3902
	Screw-on version	2x	ZSF.3502

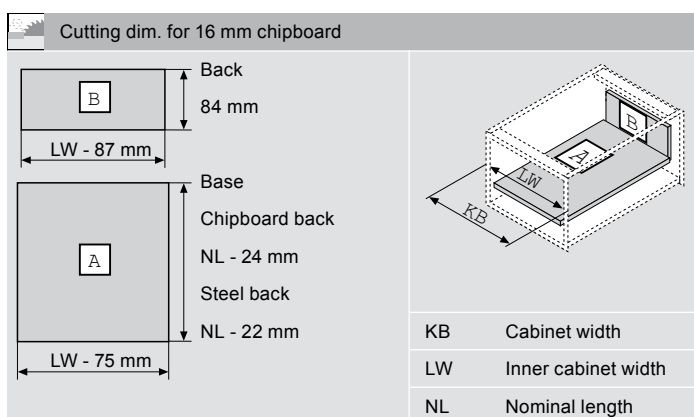
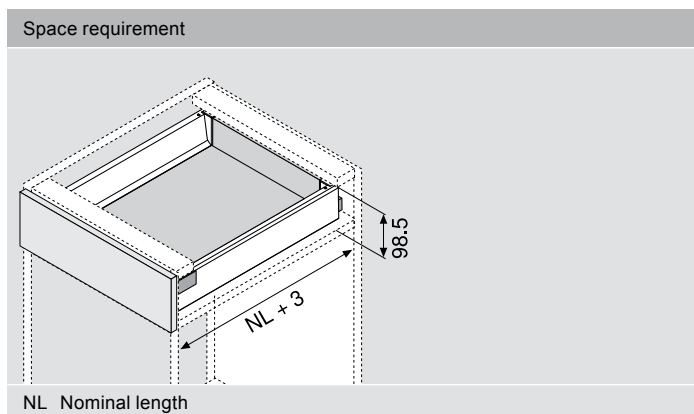
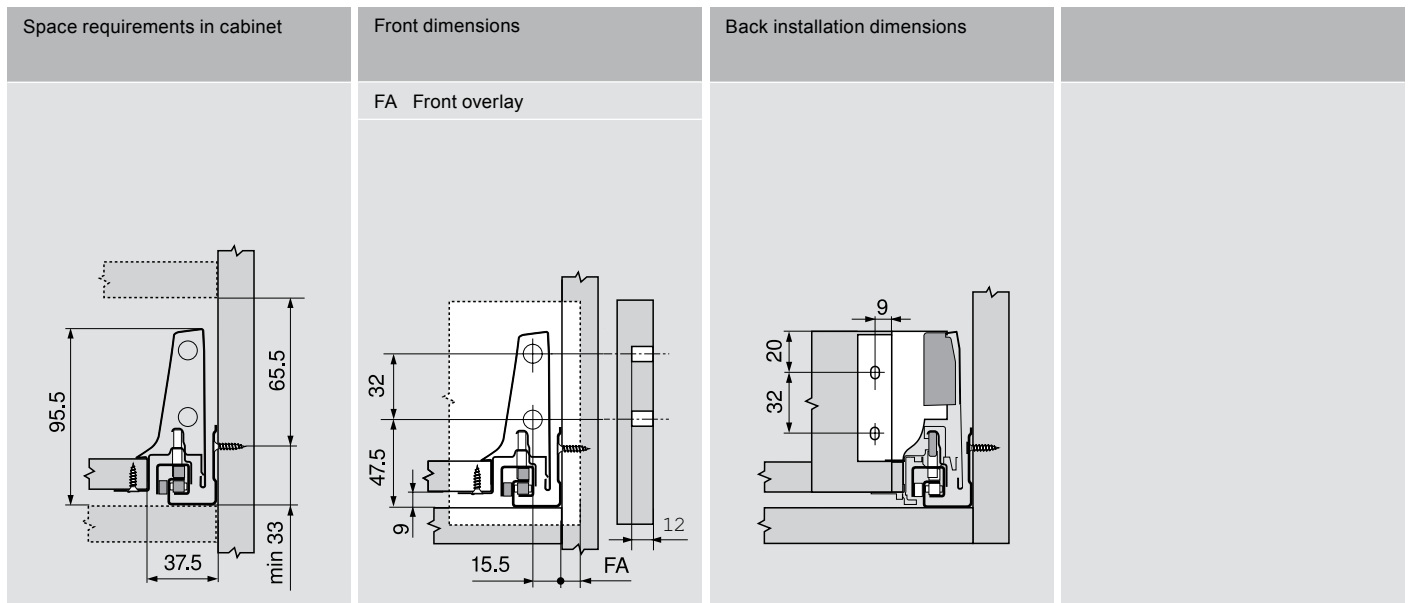
Page instructions

TANDEMBOX cabinet profile

52

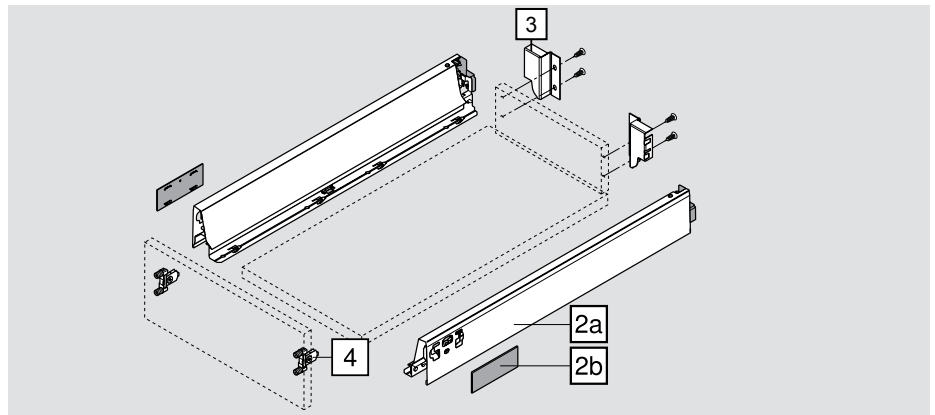
Planning information

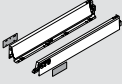
Drawer – M





Order specification

Drawer – N



2a, 2b	Drawer sides and cover caps left/right		
	Colour variants	SW	
	Nominal length		Steel
	400 mm		358N4002SA
	450 mm		358N4502SA
	500 mm		358N5002SA
	550 mm		358N5502SA

3	Back fixing left/right		
	Colour variants	SW	
			Steel
			Z30N000S.04

4	Front fixing bracket		
	INSERTA version	2x	ZSF.3902
	Screw-on version	2x	ZSF.3502

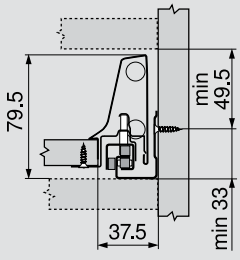
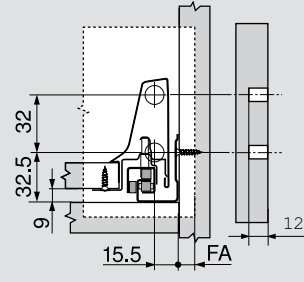
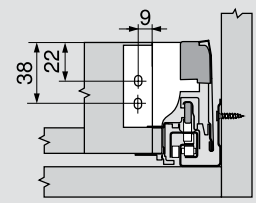
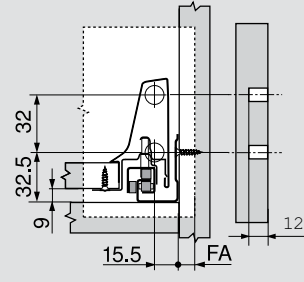
Page instructions

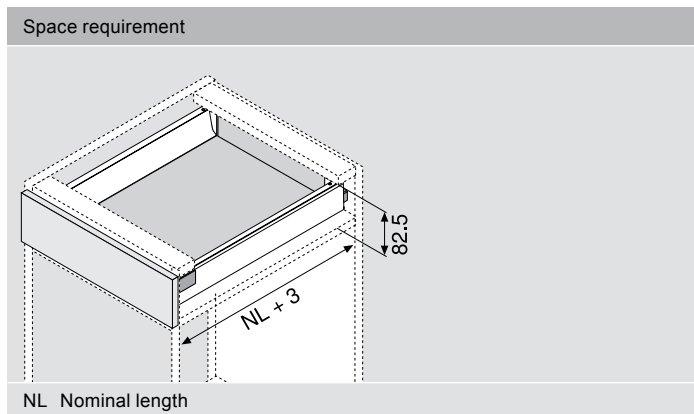
TANDEMBOX cabinet profile

52

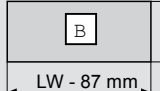
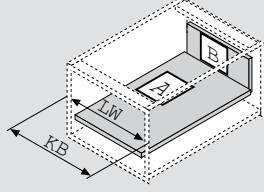
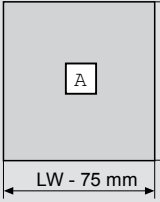
Planning information

Drawer – N

Space requirements in cabinet	Front dimensions	Back installation dimensions	
	FA Front overlay		
			

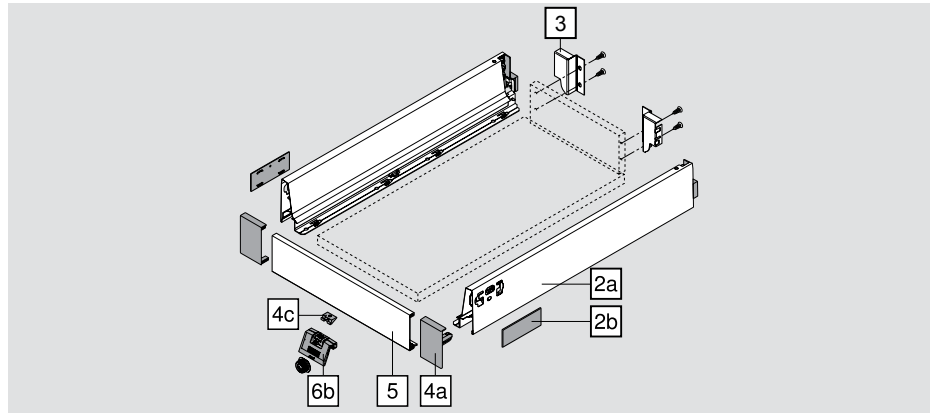


Cutting dim. for 16 mm chipboard

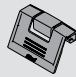
	Back 69 mm	
	Base Chipboard back NL - 24 mm Steel back NL - 22 mm	
KB Cabinet width LW Inner cabinet width NL Nominal length		

Order specification

Inner drawer – M

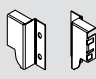


2a, 2b	Drawer sides and cover caps left/right	
	Colour variants	SW
	Nominal length	Steel
	270 mm	358M2702SA
	350 mm	358M3502SA
	400 mm	358M4002SA
	450 mm	358M4502SA
	500 mm	358M5002SA
	550 mm	358M5502SA
	650 mm	359M6502SA

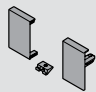
6a	Handle	
	Colour variants	SW
		Nylon
		ZIF.80M5

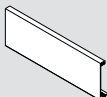
Alternative to 6a

6b	Handle and latch (optional)	
	Colour variants	SW
		Nylon
		ZIF.80M7

3	Back fixing left/right	
	Colour variants	SW
		Steel
		Z30M000S.04

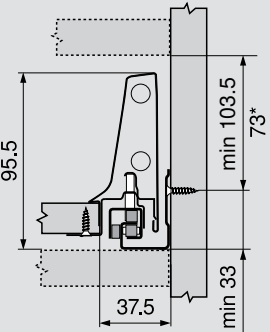
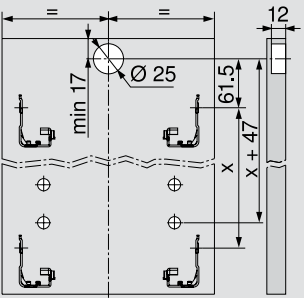
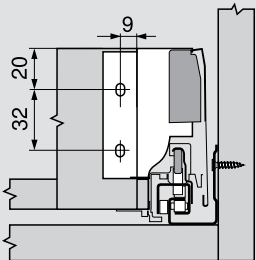
Page instructions	
TANDEMBOX cabinet profile	52

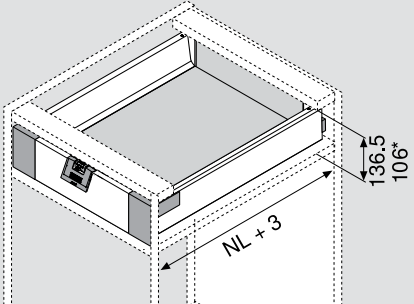
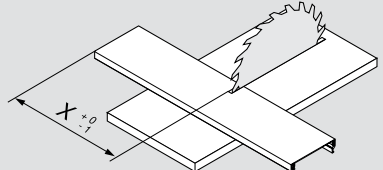
4a, 4c	Front fixing left/right	
	Colour variants	SW
		Nylon
		ZIF.71M0
Incl. locking piece Z31A0008		

5	Front section	
	Colour variants	SW
		Aluminium
	For cutting to size	Z31L1036A

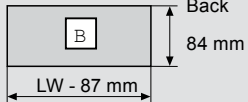
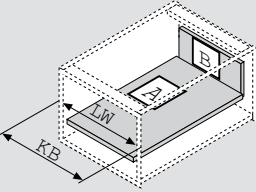
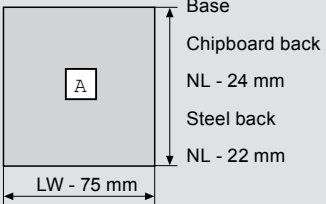
Planning information

Inner drawer – M

Space requirements in cabinet	Front drilling distance for latch	Back installation dimensions	
* With ZIF.80M7 can be used with height 73 and higher			
			


Space requirement	Front piece for cutting to size
 <p>* With handle ZIF.80M7</p> <p>NL Nominal length</p>	 <p>$x = LW - 132$</p>

Cutting dim. for 16 mm chipboard

 <p>Back 84 mm LW - 87 mm</p>							
 <p>Base Chipboard back NL - 24 mm Steel back NL - 22 mm LW - 75 mm</p>							
	<table border="1"> <tbody> <tr> <td>KB</td> <td>Cabinet width</td> </tr> <tr> <td>LW</td> <td>Inner cabinet width</td> </tr> <tr> <td>NL</td> <td>Nominal length</td> </tr> </tbody> </table>	KB	Cabinet width	LW	Inner cabinet width	NL	Nominal length
KB	Cabinet width						
LW	Inner cabinet width						
NL	Nominal length						

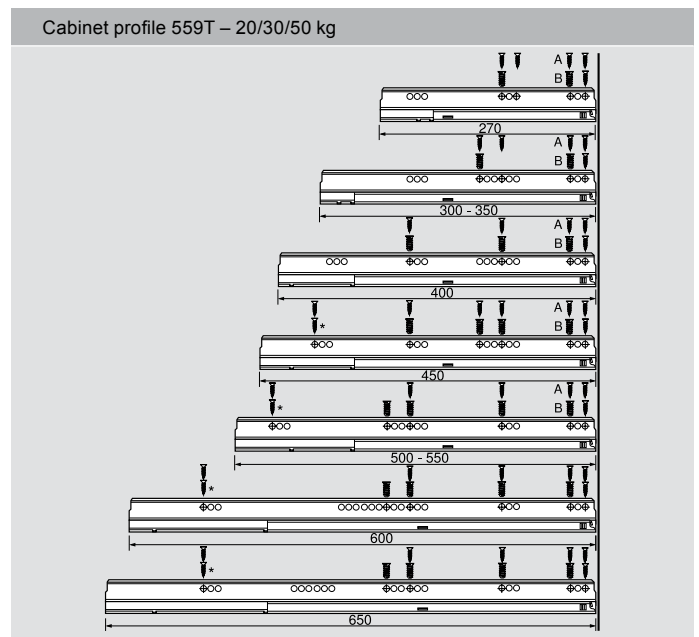
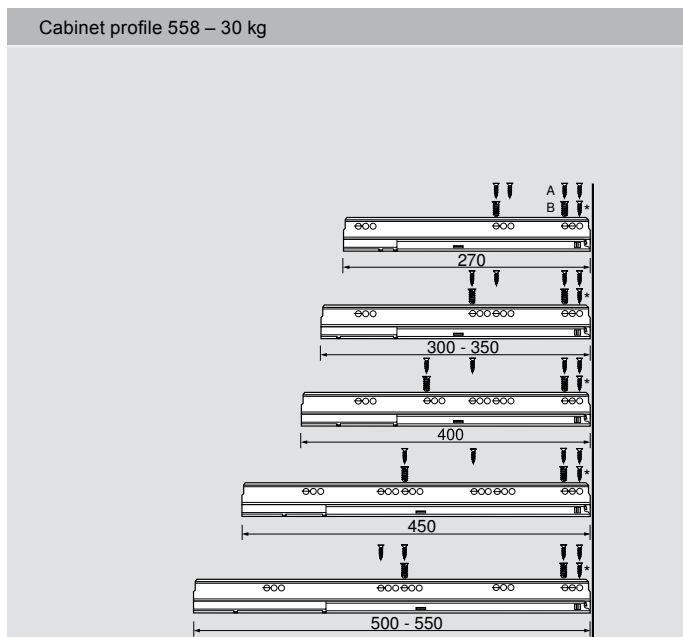
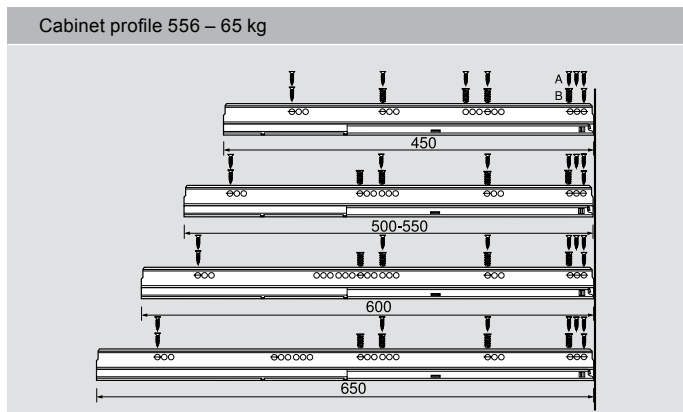
Order specification

TANDEMBOX cabinet profile

Cabinet profiles left/right		BLUMOTION*			TIP-ON		
	Nominal length	30 kg	65 kg	Nominal length	20 kg	30 kg	50 kg
	270 mm	558.2701B		270 mm	559.2701T		
	350 mm	558.3501B01		350 mm		559.3501T	
	400 mm	558.4001B01		400 mm		559.4001T	
	450 mm	558.4501B01	556.4501B	450 mm			559.4501T
	500 mm	558.5001B	556.5001B	500 mm			559.5001T
	550 mm	558.5501B	556.5501B	550 mm			559.5501T
	650 mm		556.6501B	650 mm			559.6501T

* Suitable for SERVO-DRIVE

Cabinet profile fixing positions

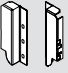


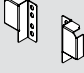
A Chipboard screw Ø 4 x 15 mm

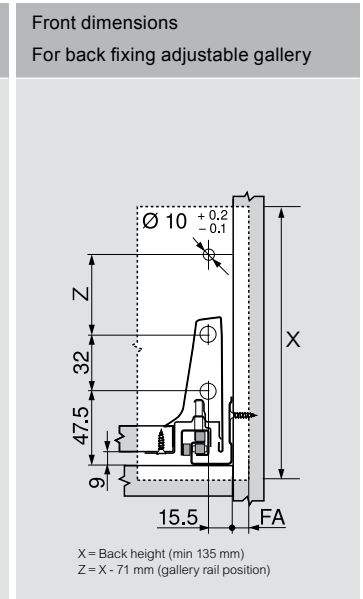
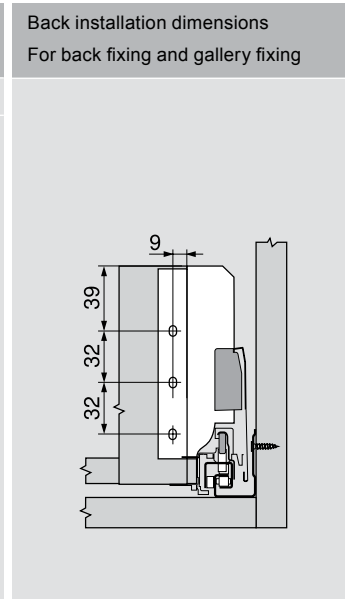
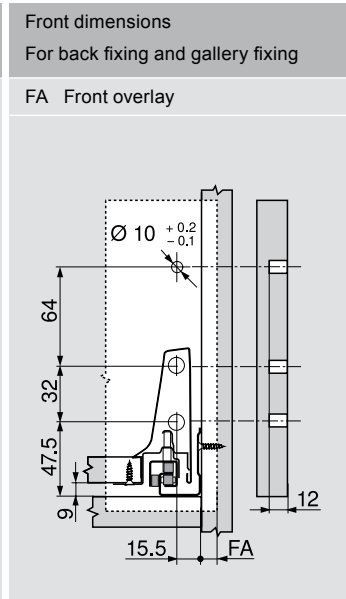
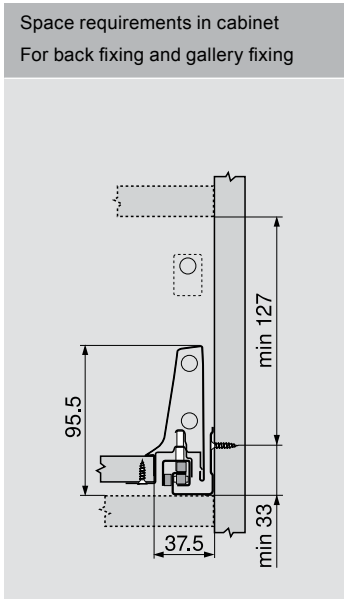
B System screw Part no. 661.145

Order specification

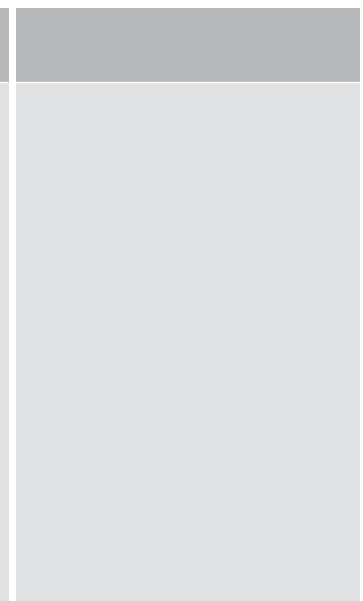
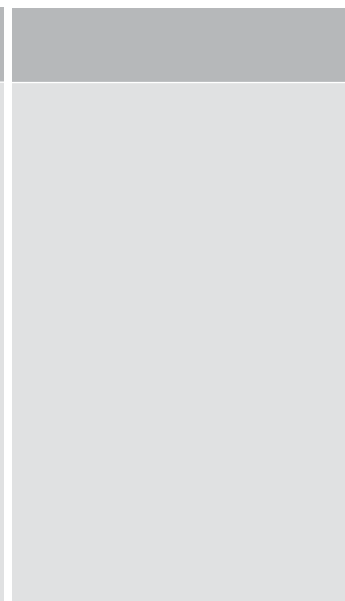
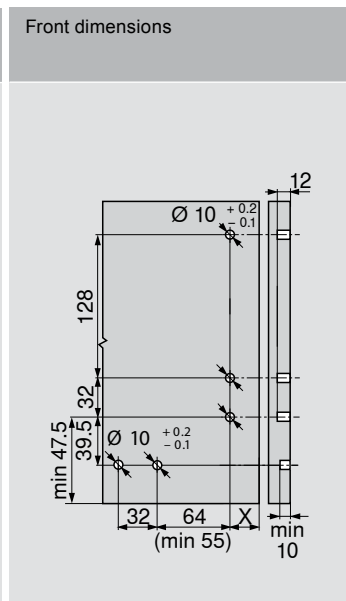
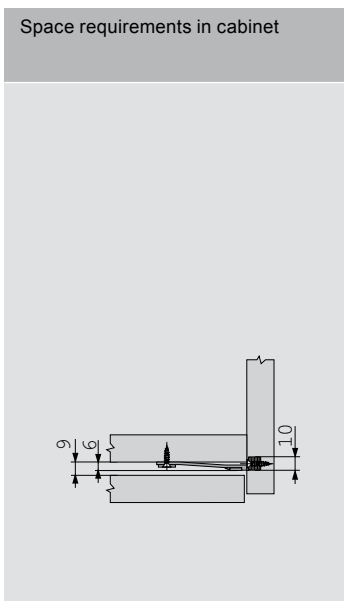
Accessories – Back and gallery fixing

Back fixing and gallery fixing left/right	
	
Colour variants	SW
	Steel
	Z30B000S.04

Back fixing for adjustable gallery	
	
Colour variants	SW
	Steel
	ZRR.5200

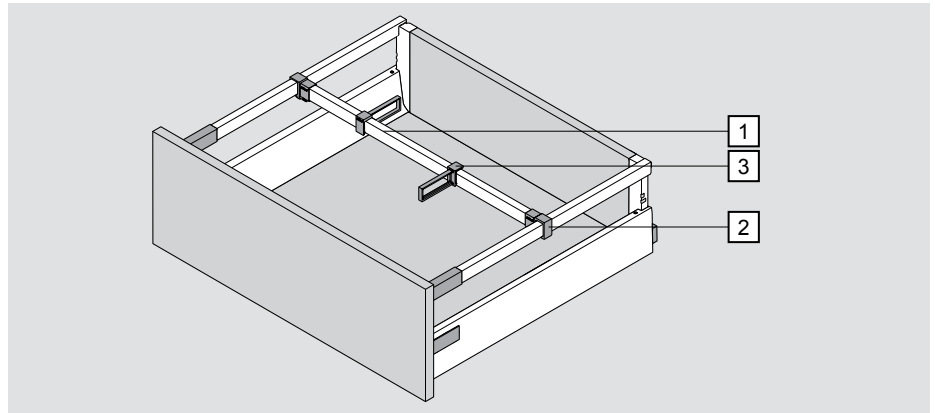
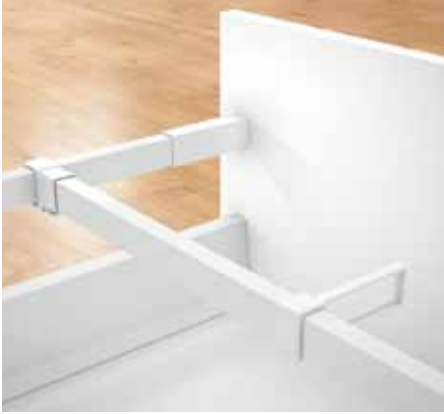



Accessories – Front stabilisation



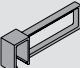
Order specification

ORGA-LINE

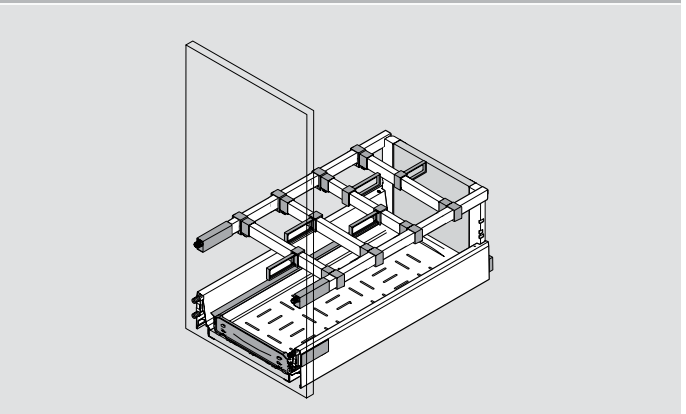


1	Cross gallery		
	Colour variants	SW	
	Cabinet width		Aluminium
	1.200 mm		ZRG.1104Q
	Cross gallery for cutting to size: LW-63 mm		
	LW Inner cabinet width		

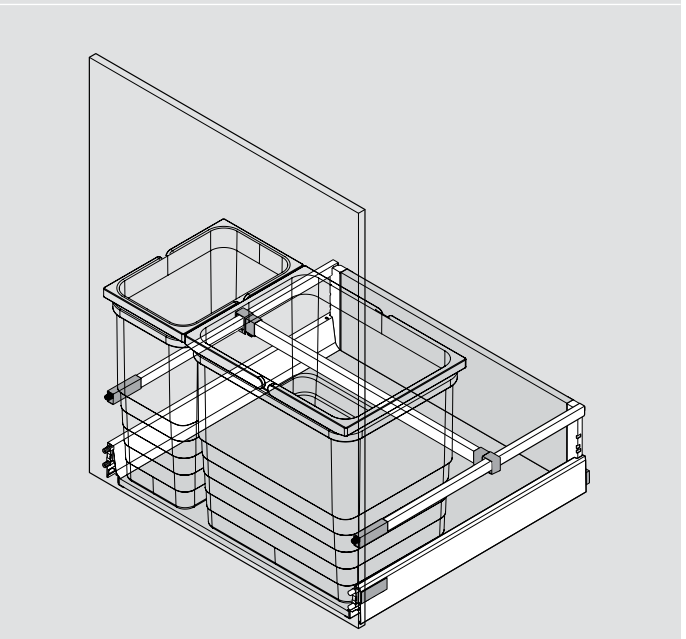
2	Cross gallery connector		
	Colour variants	SW	
			Nylon
			ZRU.01E0

3	Longside divider		
	Colour variants	SW	
			Nylon
			ZRU.11F0

Case studies:



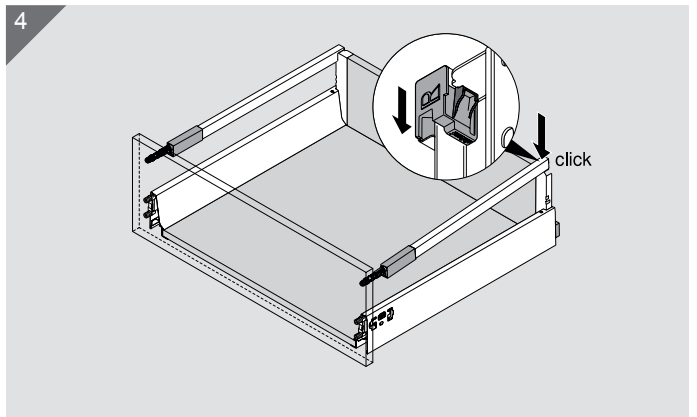
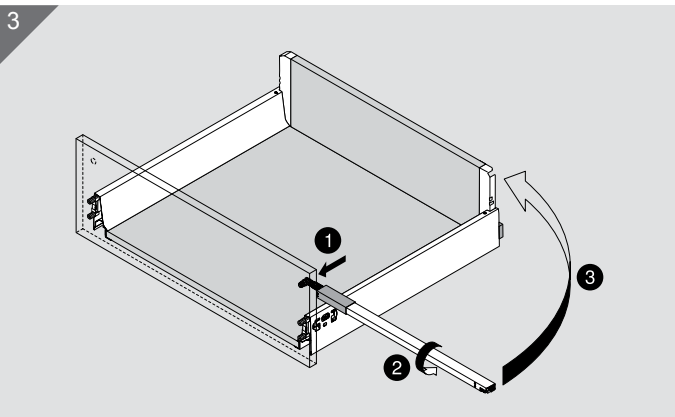
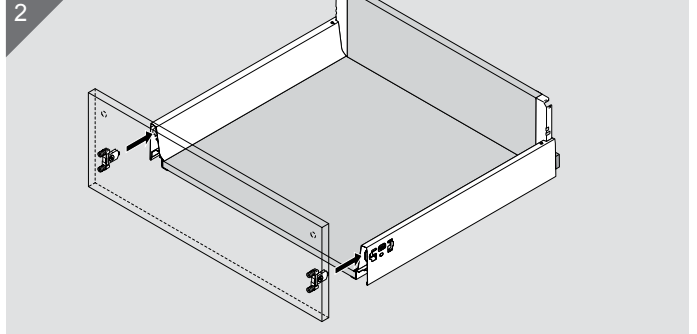
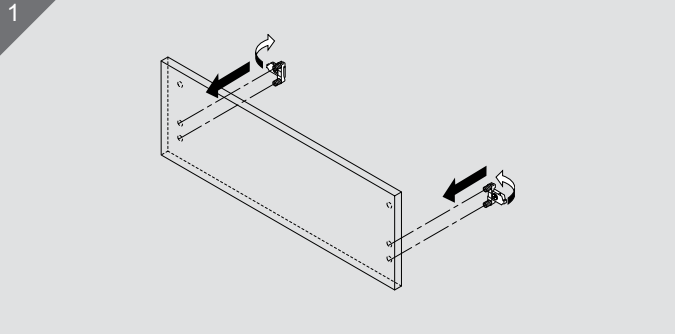
Bottles



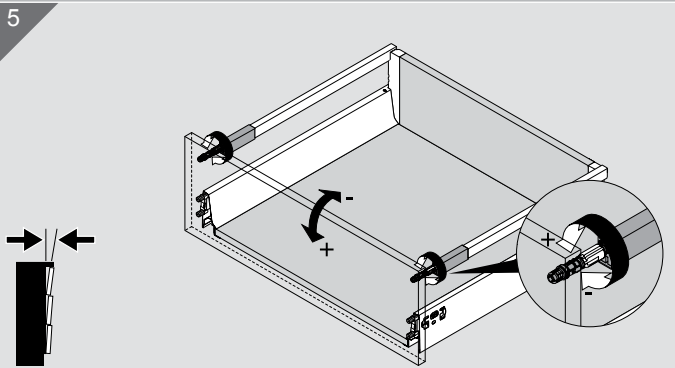
Waste bin pull-out

Assembly, removal and adjustment

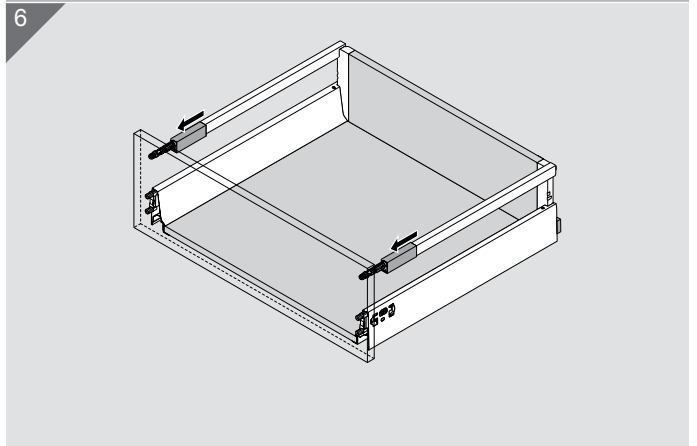
High fronted pull-out



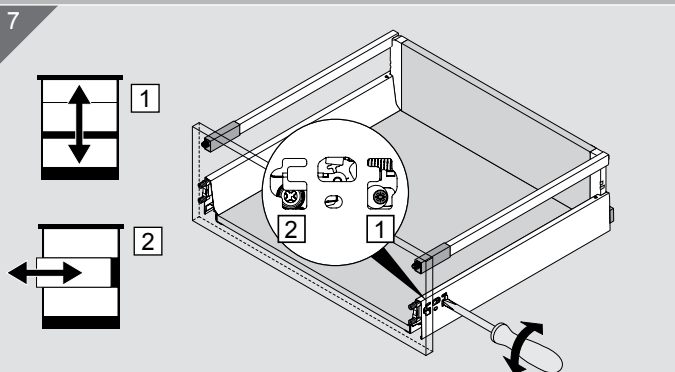
Tilt adjustment



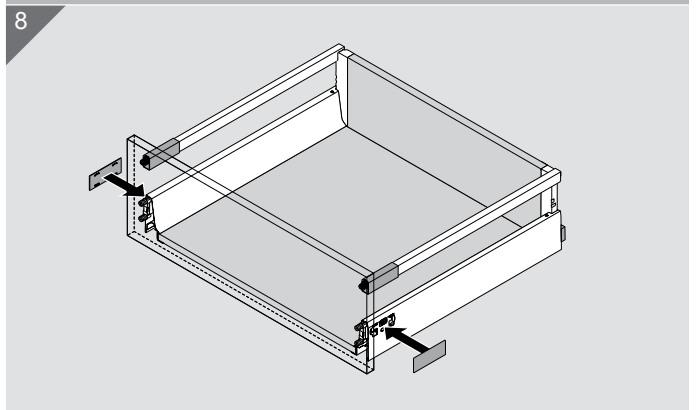
Comment: If a gallery rod is adjusted, the same adjustment must be made on all remaining rods



Height adjustment + side adjustment



Comment: Both sides require adjustment

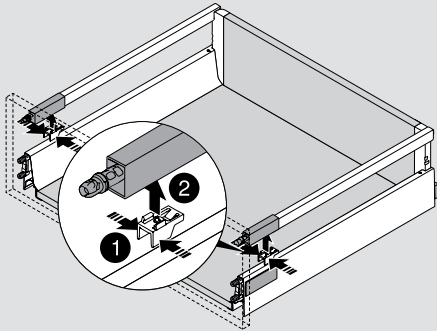


Assembly, removal and adjustment

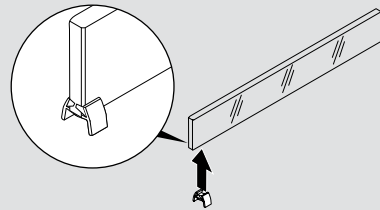


Design element

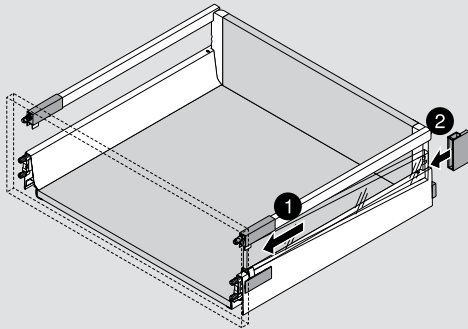
1



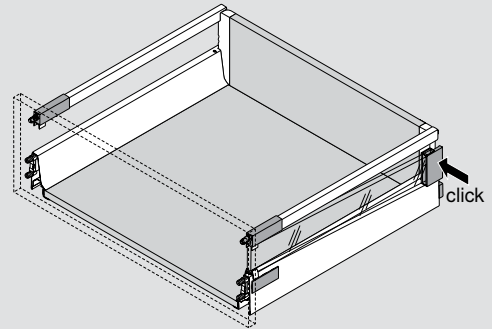
2



3

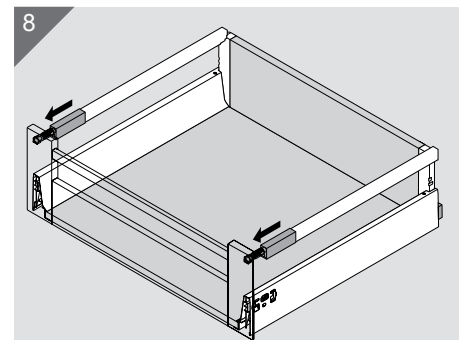
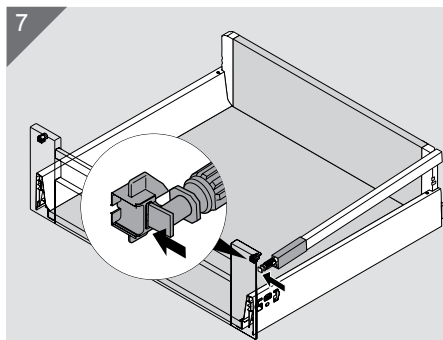
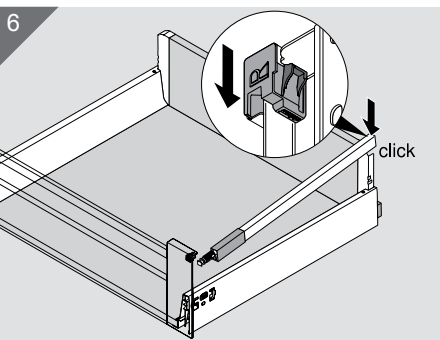
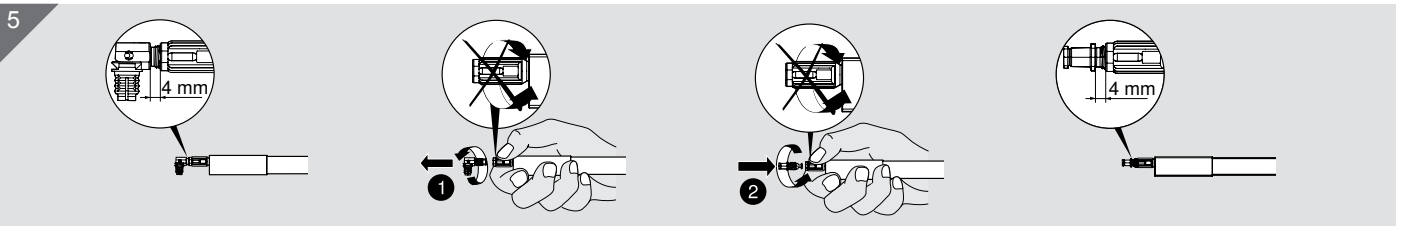
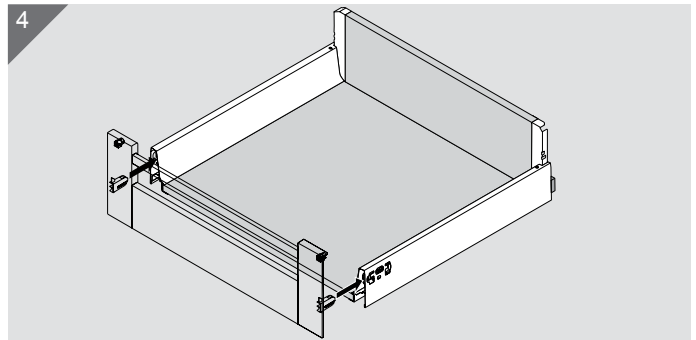
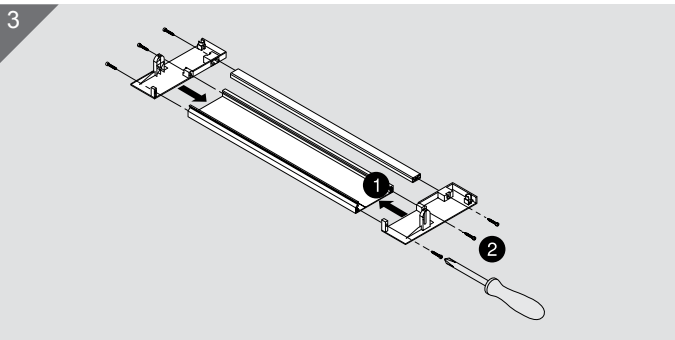
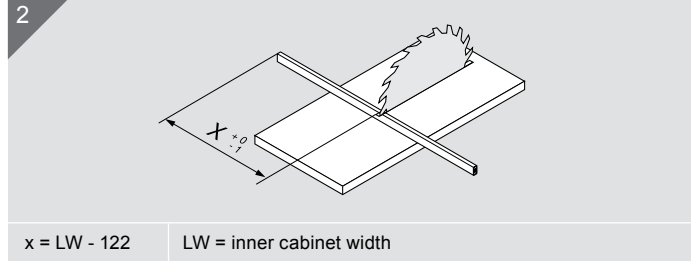
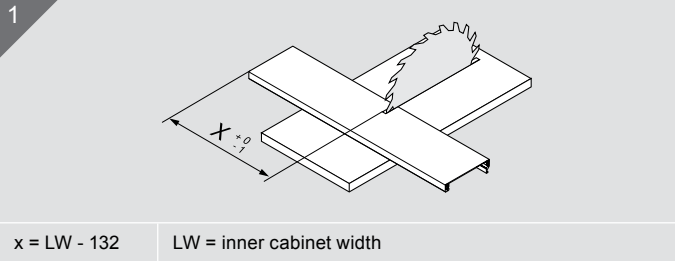


4

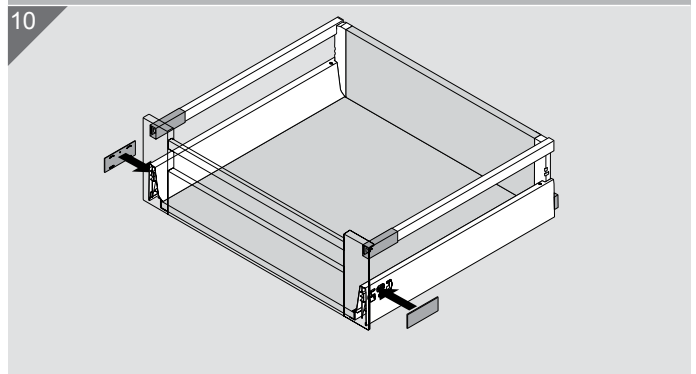
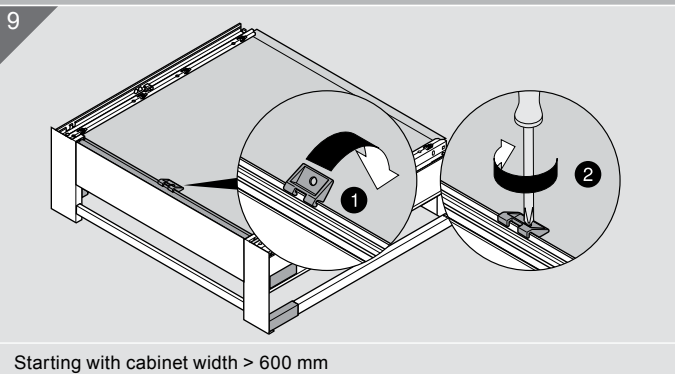


Assembly, removal and adjustment

Inner pull-out



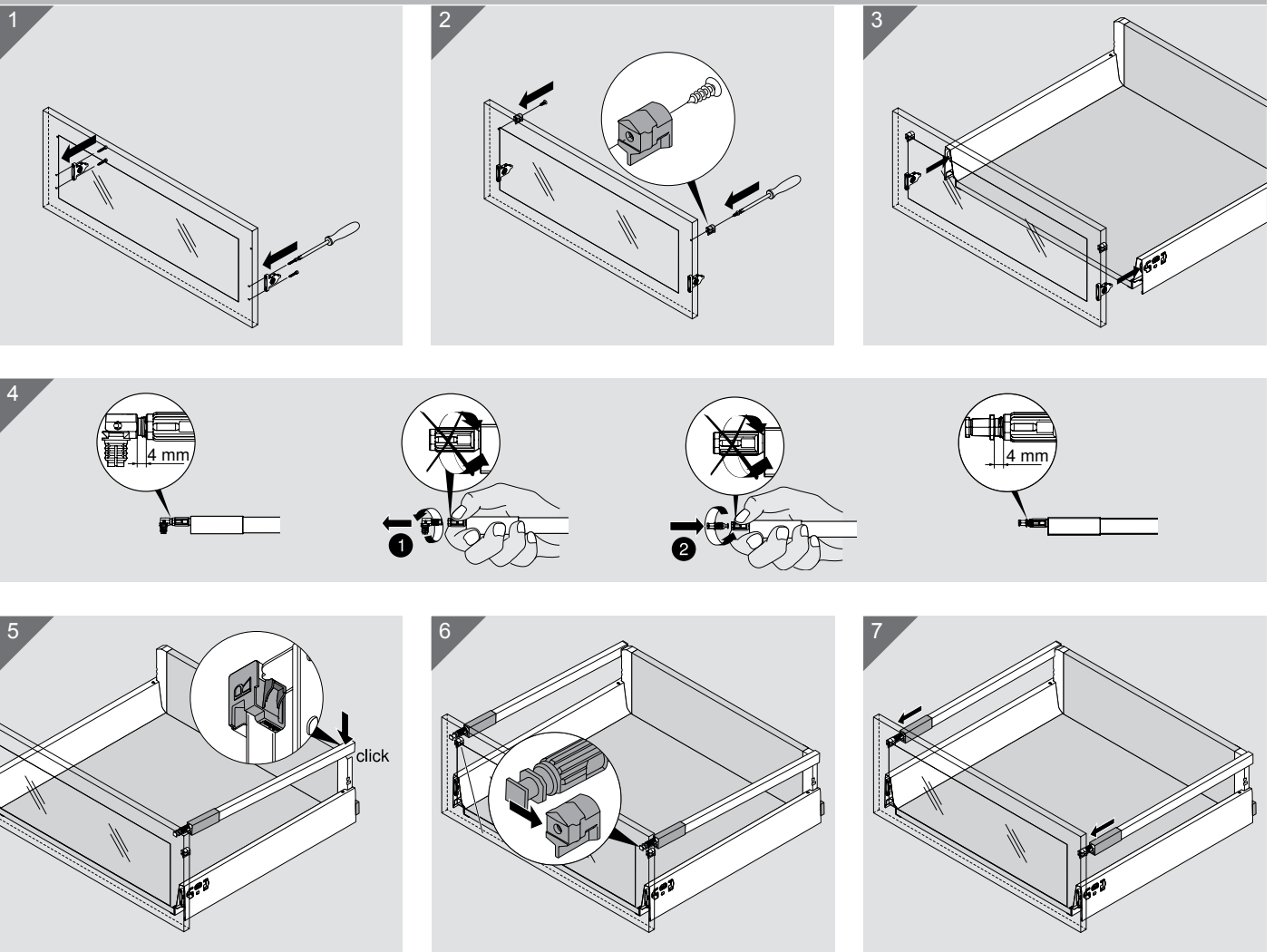
Locking piece



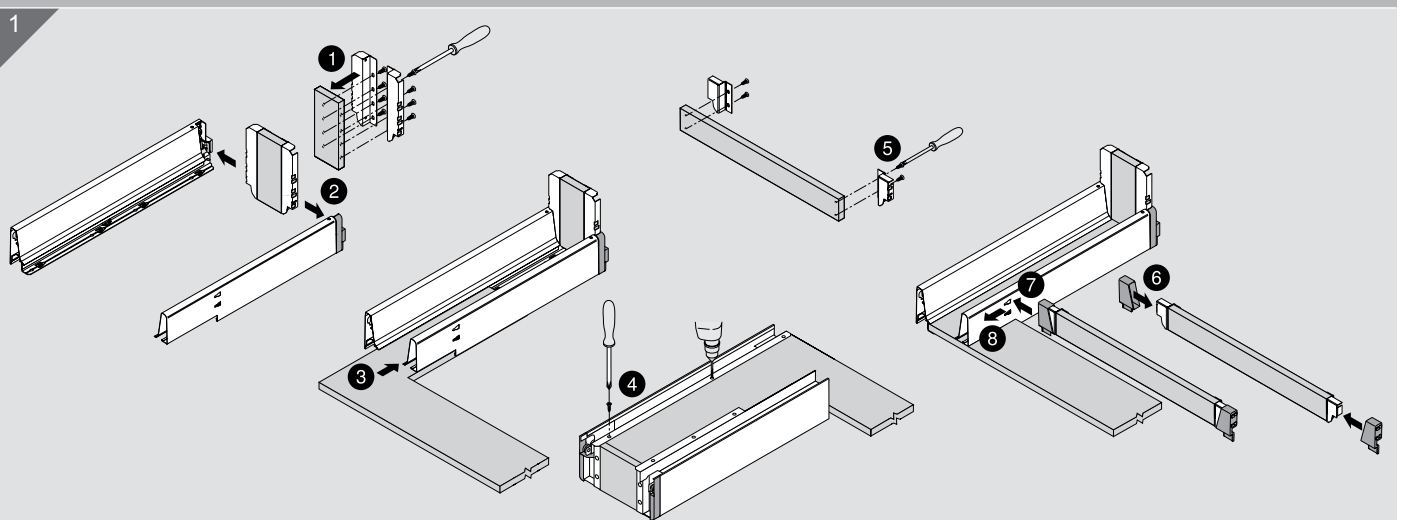
Assembly, removal and adjustment



Alu frame



Sink pull-out



Gallery assembly and adjustment

55

Cover cap assembly

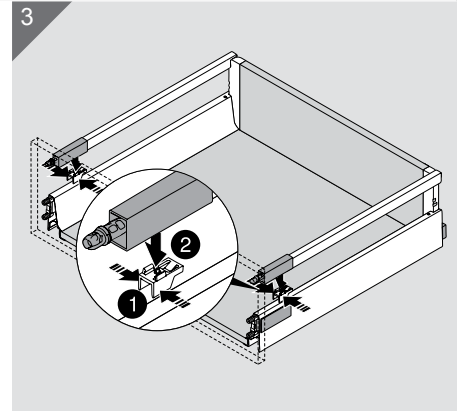
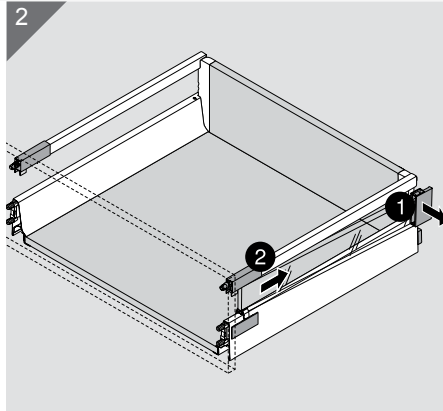
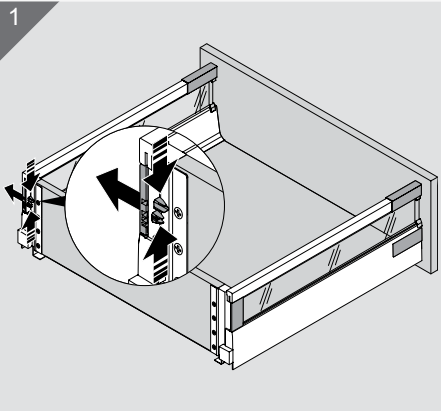
55

Design element assembly

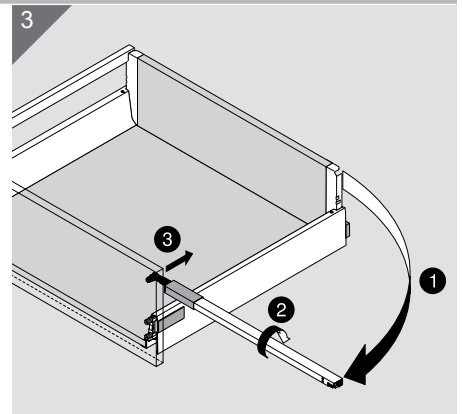
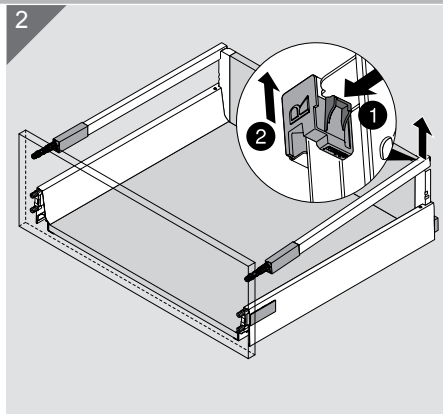
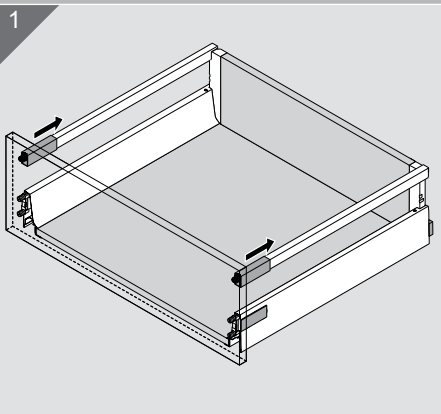
56

Assembly, removal and adjustment

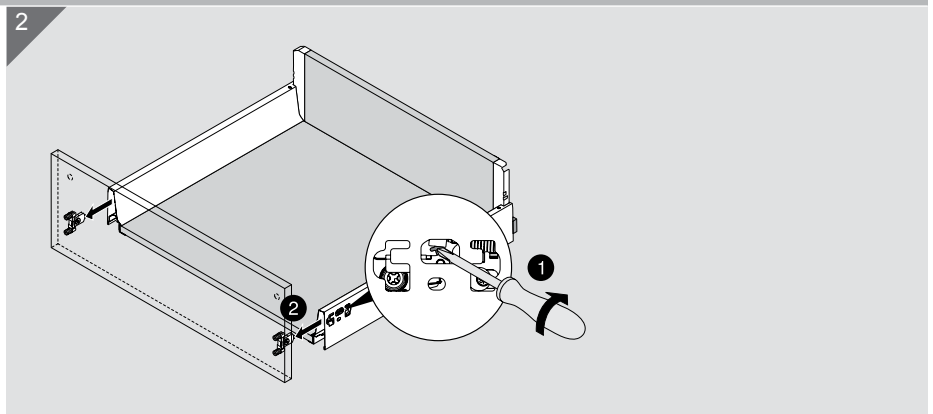
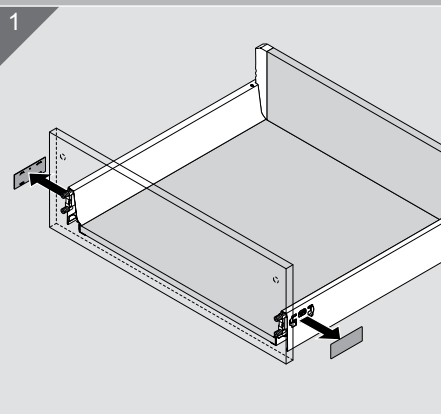
Design element removal



Gallery removal – high fronted pull-out

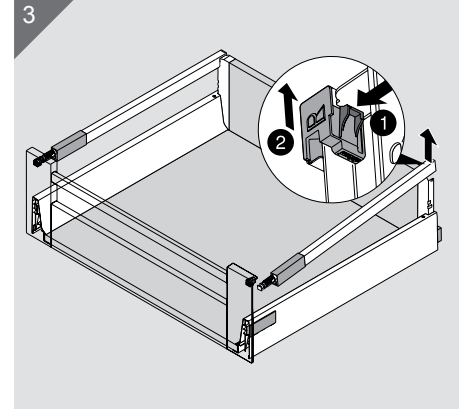
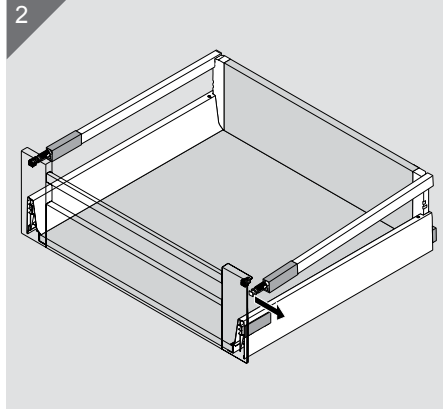
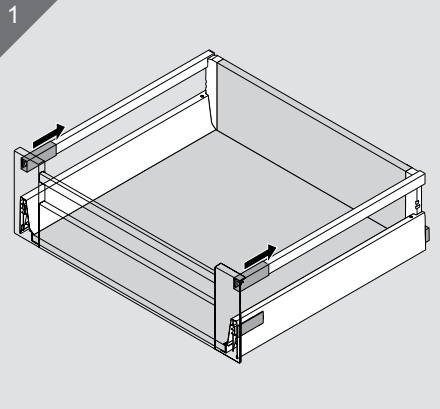


Front removal

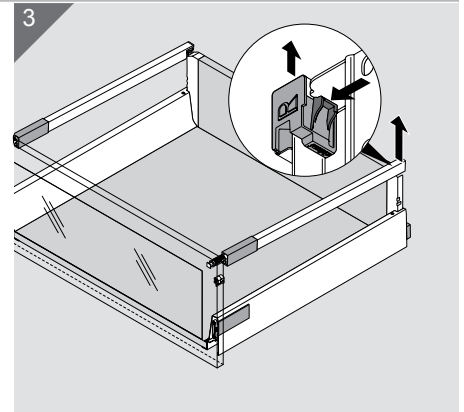
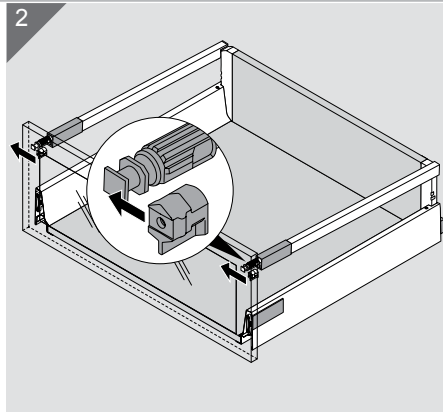
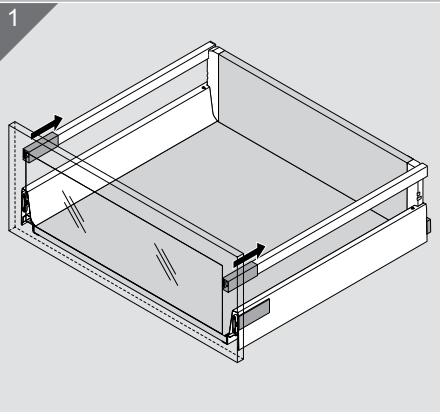




Gallery removal – inner pull-out



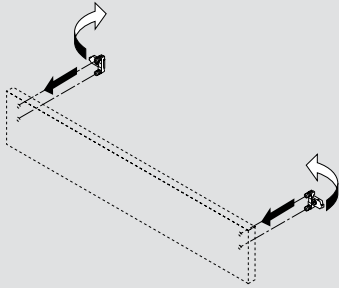
Gallery removal – alu frame



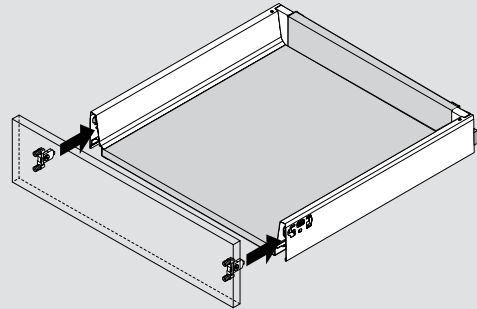
Assembly, removal and adjustment

Drawer

1

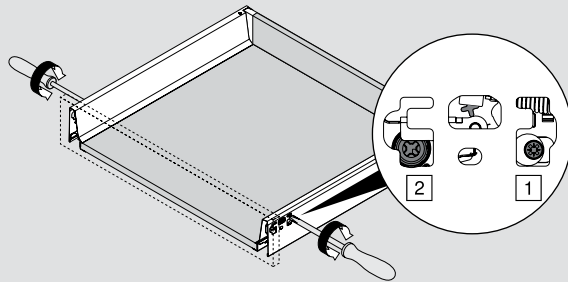
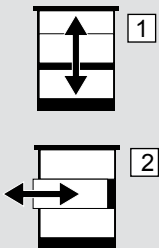


2



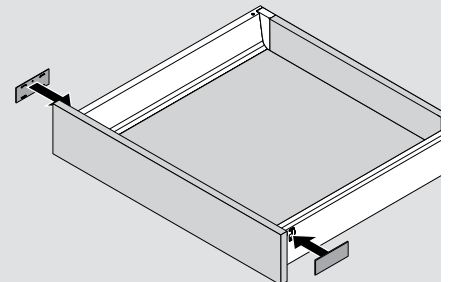
Height adjustment + side adjustment

3



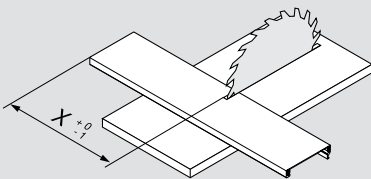
Comment: Both sides require adjustment

4



Inner drawer

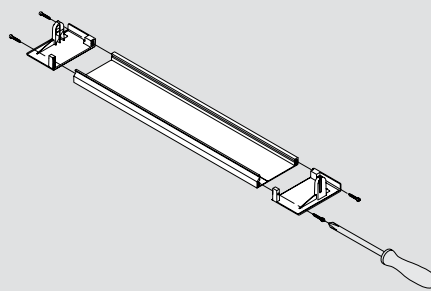
1



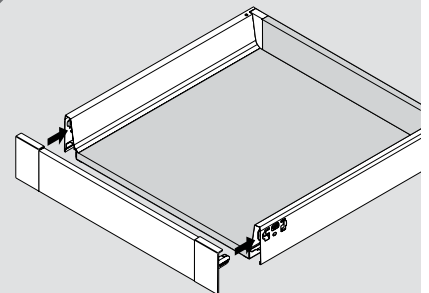
$$x = LW - 132$$

LW Inner cabinet width

2

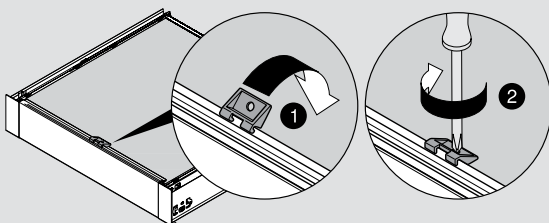


3



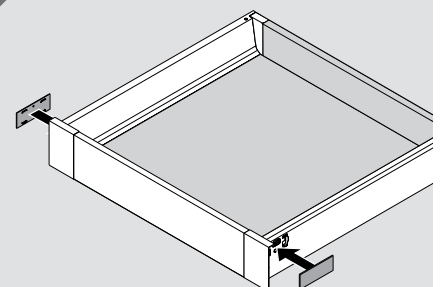
Locking piece

4



Starting with cabinet width > 600 mm

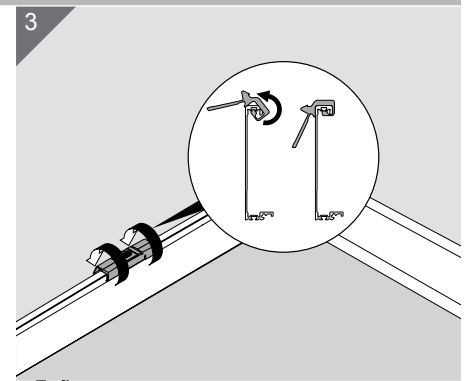
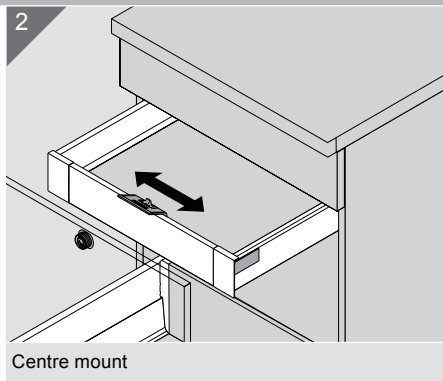
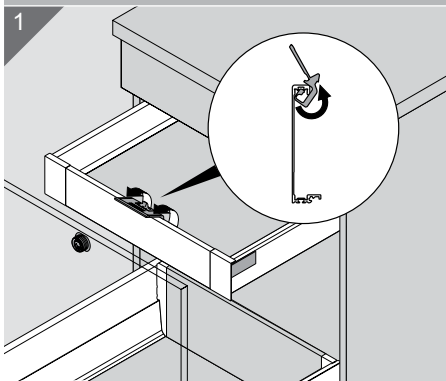
5



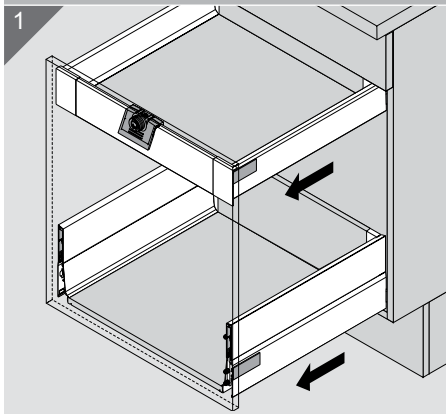
Assembly, removal and adjustment



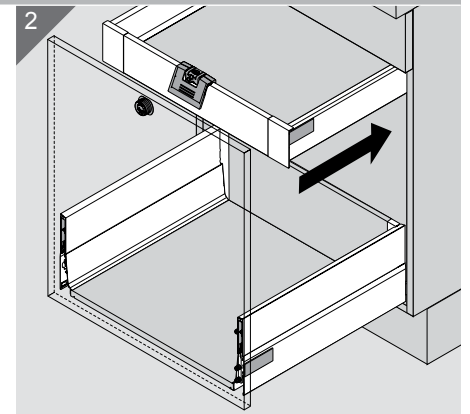
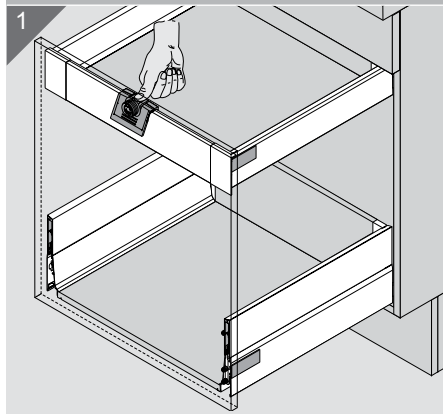
Handle and latch



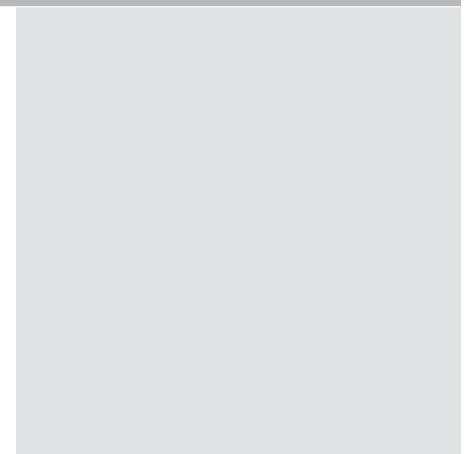
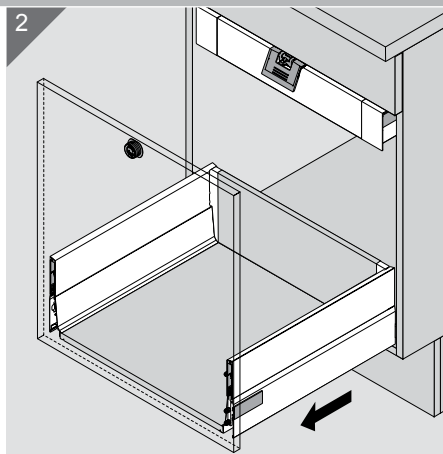
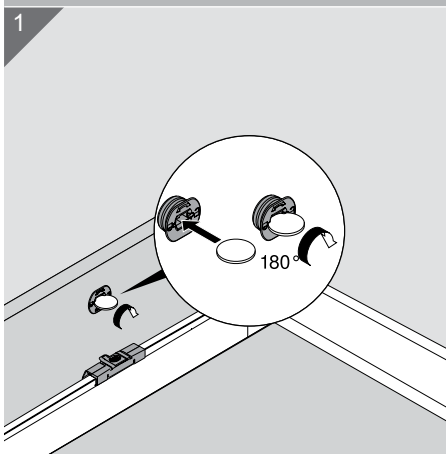
Latch activated



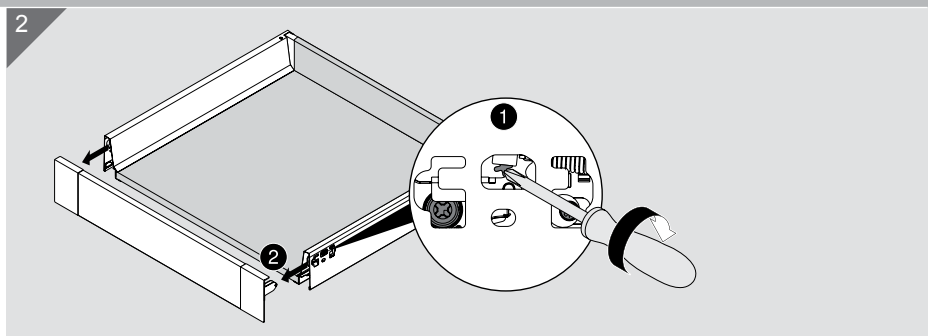
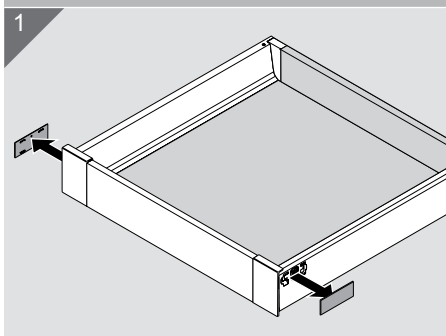
Release



Deactivate latch

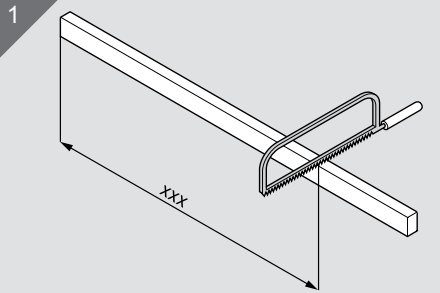


Front removal



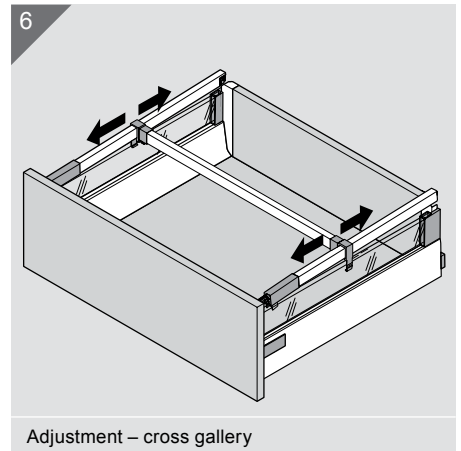
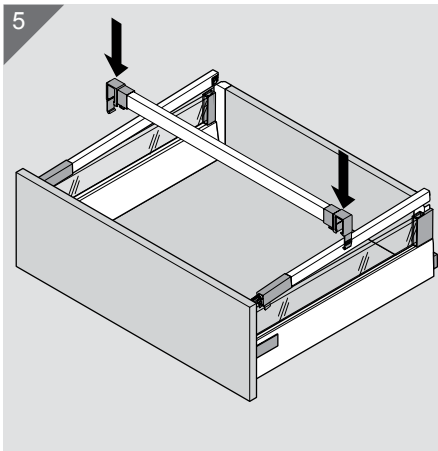
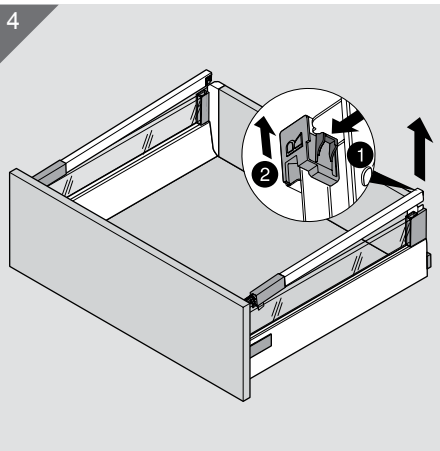
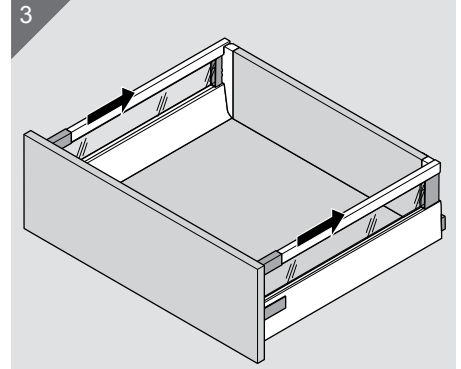
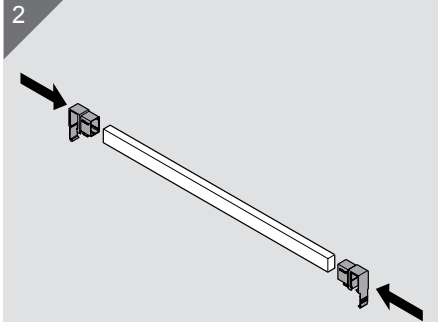
Assembly, removal and adjustment

Cross divider



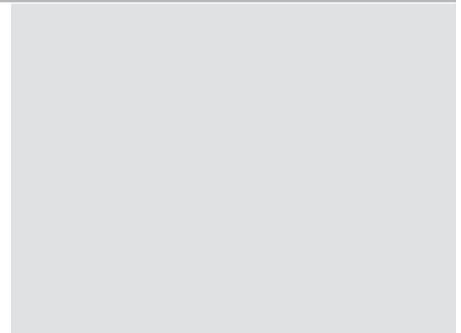
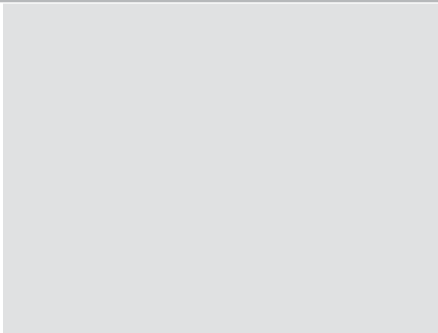
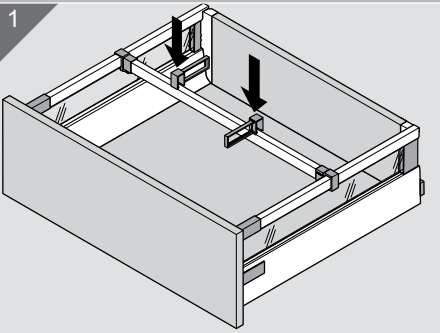
XXX = LW - 63 mm

LW = inner cabinet width

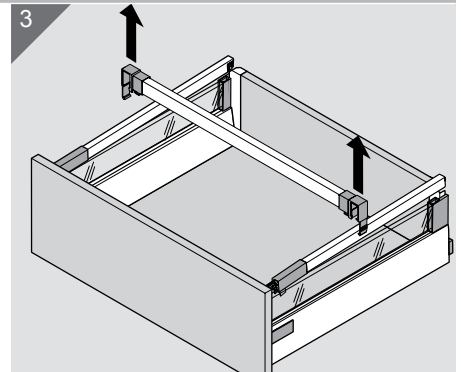
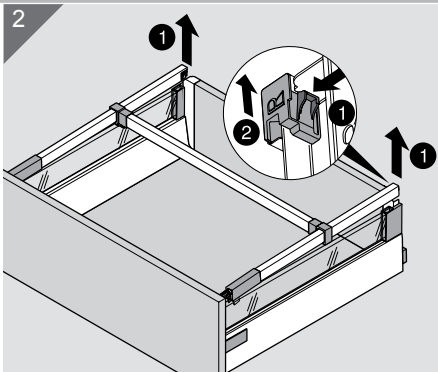
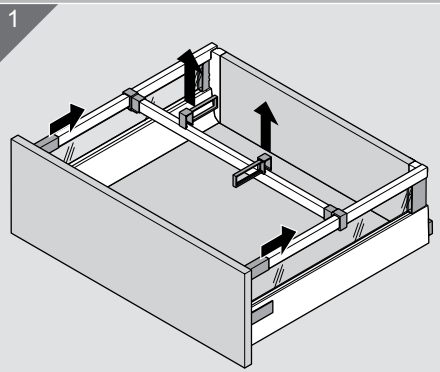


Adjustment – cross gallery

Longside divider



Cross gallery removal



Design element removal



1952



The first product
Studs are attached to horse-shoes to stop horses slipping.

1958



Début in the furniture industry
The ANUBA hinge is Blum's first furniture fitting.

1964



Production start
Blum produces concealed furniture hinges.

1966



Roller runners
Blum starts to produce roller runners.

1985



Assembly technology
CLIP hinges can be mounted without tools thanks to CLIP technology.

Perfecting motion

Blum's fittings solutions are designed to make opening and closing furniture a mesmerising experience. That's why we make every effort to perfect the motion of our lift, hinge, box and runner systems.



DYNAMIC SPACE

Blum products help to optimise workflows, gain storage space and offer a high level of comfort – making kitchens more practical.

Top quality

Blum products have been developed for everyday kitchen use and are a pleasure to use a furniture lifetime.



Blum in Austria and around the world

Over 5000 employees support us on our quest for perfect motion. Our fittings are manufactured at ten plants. Seven are in Austria, the remaining are in the USA, Brazil and Poland. Thanks to international subsidiaries and sales agencies, Blum is on site to serve its customers all over the world.

Innovations

We want our fittings solutions to be innovative and make everyday kitchen use easier. That's why our developments are based on findings from requirements research and input from our customers.

Environment

Blum strives to minimise its environmental impact. We use environmentally-friendly processes, use raw materials intelligently and save energy wherever we can.



Our commitment to environmental protection is internationally recognised and rewarded. We endeavour to maintain and are always looking to improve our environmental management systems.



Global customer benefits

From furniture manufacturer to user: Each should profit from the advantages of Blum products.

1987



BOX systems

Blum's first BOX system goes into production with METABOX.

2001



Soft-close system

BLUMOTION ensures that furniture closes softly and effortlessly.

2005



Lift systems

AVENTOS lift systems are presented for the first time

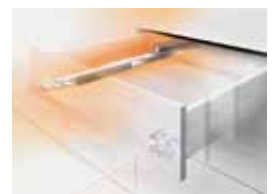
2007



Electrical opening support

SERVO-DRIVE has received numerous awards for design and function.

2011



Runner systems

With MOVENTO, a new generation of runner systems was born.

Experience the mesmerising motion
Blum Showrooms

Sydney (Head Office)
10 Blackbird Close
Len Waters Estate NSW 2171
Ph: 02 9612 5400

Brisbane
6/39-45 Compton Road
Underwood QLD 4119
Ph: 07 3135 9490

Melbourne
4/245 Ferntree Gully Road
Mount Waverley VIC 3149
Ph: 03 9982 1720

Perth
3/50 Howe Street
Osborne Park WA 6916
Ph: 08 6467 0110

Adelaide
3/277-281 Sir Donald Bradman Drive
Cowandilla SA 5033
Ph: 08 8118 6070

All content is copyrighted by Blum.
Subject to technical modifications and changes without range notice.
Printed in Australia IDNR 1.001.38



ISO 9001
Certified Quality
System



ISO 14001
Certified Environmental
System



ISO 50001
Certified Energy
System

Blum Australia Pty. Ltd.
P.O. Box 1615
Green Valley NSW 2168
Toll Free: 1800 179 186
E-Mail: info.au@blum.com

 **blum**®