



METABOX drawer system

High quality, few components



METABOX drawers are made up of only a few components; you can realise so many different applications. Stable materials and careful assembly ensure the best stability values – up to a maximum dynamic load bearing of 30 kg.

The tried and tested BLUMOTION function is also available as an option for the METABOX single extension. Independent of the force used and the weight of the storage items. Extremely practical and economical: In all standard applications one unit is all you need.

 **blum**[®]

Drawer Systems



METABOX Overview	A.138
METABOX 320 Single Extension	
Drawer/Inner - N (54mm high sides)	A.140
Drawer/Inner - M (86mm high sides)	A.142
Drawer/Inner - K (118mm high sides)	A.144
Drawer/Inner - H (150mm high sides)	A.146
High Fronted Pull Outs	A.148
METABOX 330 Full Extension	
Drawer/Inner - N (54mm high sides)	A.150
Drawer/Inner - M (86mm high sides)	A.152
Drawer/Inner - K (118mm high sides)	A.154
Drawer/Inner - H (150mm high sides)	A.156
High Fronted Pull Outs	A.158
METABOX 320 Single Extension Industrial Pack	A.160
METAFILE	A.162
METABOX Accessories	A.163
Cabinet Fixing Positions	A.165
METABOX Assembly, Removal, and Adjustment	A.166



Drawer side height N = 54 mm



Drawer side height M = 86 mm



Drawer side height K = 118 mm



Drawer side height H = 150 mm



METABOX BLUMOTION ensures silent and effortless closing action



METABOX 320 - SINGLE EXTENSION - OVERVIEW

A

Drawers, Hinges & Assembly Devices

Drawer			
	Drawer - N	A.140	
	Drawer - M	A.142	
	Drawer - K	A.144	
	Drawer - H	A.146	

Inner drawer			
	Inner drawer - N	A.140	
	Inner drawer - M	A.142	
	Inner drawer - K	A.144	
	Inner drawer - H	A.146	

High fronted pull - out			
	High fronted pull out - gallery - B	A.148	
	High fronted pull out - double gallery - D	A.148	
	High fronted pull out - BOXSIDE - D	A.148	

METABOX 320 - SINGLE EXTENSION - INDUSTRIAL PACKS


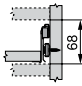

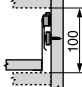

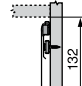

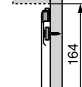
Industrial Pack - drawer			
	Drawer - M	A.160	
	Drawer - K	A.160	
	Drawer - H	A.160	


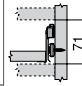

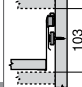

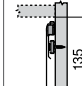

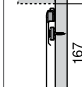
Industrial Pack - Inner drawer			
	Inner drawer - M	A.160	
	Inner drawer - K	A.160	
	Inner drawer - H	A.160	


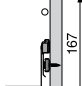

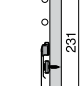

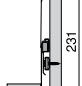
Drawer Systems

METABOX 330 - FULL EXTENSION - OVERVIEW



Drawer			
	Drawer - N	A.150	
	Drawer - M	A.152	
	Drawer - K	A.154	
	Drawer - H	A.156	

Inner drawer			
	Inner drawer - N	A.150	
	Inner drawer - M	A.152	
	Inner drawer - K	A.154	
	Inner drawer - H	A.156	

High fronted pull - out			
	High fronted pull out - gallery - B	A.158	
	High fronted pull out - double gallery - D	A.158	
	High fronted pull out - BOXSIDE - D	A.158	



Drawers, Hinges & Assembly Devices

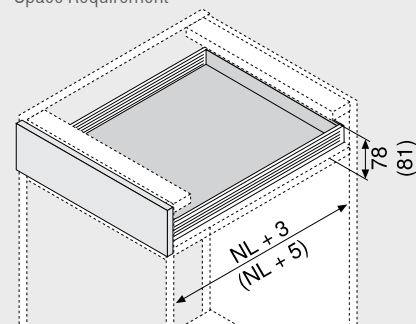
METABOX 320 SINGLE EXTENSION



DRAWER/INNER - N (54MM HIGH SIDES)

- Single extension with 54 mm high Steel drawer side
- Cream Colour (RAL 9001)
- High impact nylon rollers
- Dyn. load bearing 25 kg
- BLUMATIC self closing feature
- 2-dimensional front adjustment
- BLUMOTION for METABOX compatible

Space Requirement



NL - Nominal Length

() - Inner Drawer

1. Cabinet profiles and drawer sides left/right

Nominal Length	Blum No	Code
350	320N3500C15	1-259-350
400	320N4000C15	1-259-400
450	320N4500C15	1-259-450
500	320N5000C15	1-259-500
550	320N5500C15	1-259-550

2c. Standard front fixing brackets - Screw On

Side	Blum No	Code
Right	ZSF.1510R	1-270-634
Left	ZSF.1510L	1-270-635

Standard front fixing brackets - Knock In

Side	Blum No	Code
Right	ZSF.1610R	1-270-636
Left	ZSF.1610L	1-270-637

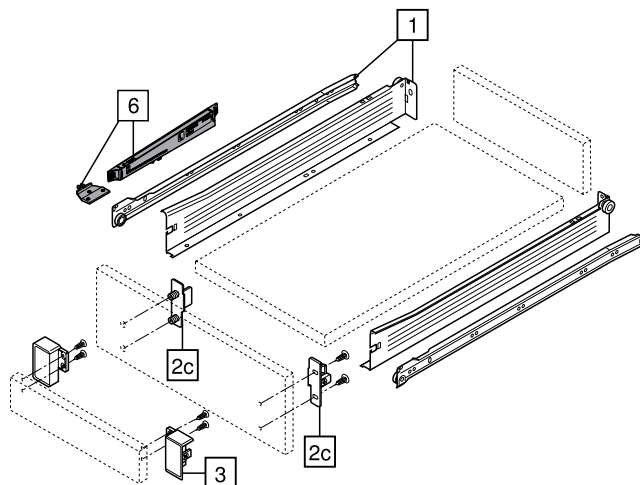
3. Front fixing brackets for inner drawers - N - Screw On

Side	Blum No	Code
Right	ZSF.3010R	1-272-461
Left	ZSF.3010L	1-272-462

Accessories

6. BLUMOTION for METABOX 320

Material	Blum No	Code
Nylon	Z70.0320	1-260-000

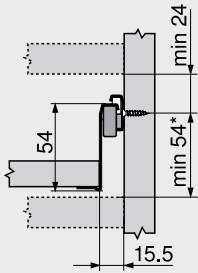


METABOX 320 SINGLE EXTENSION

Planning and installation dimensions

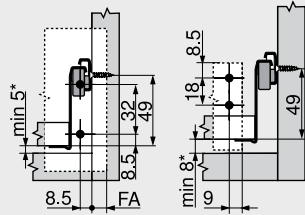
Space requirement in cabinet

- +2mm with BLUMOTION
- +3mm for inner drawer with BLUMOTION



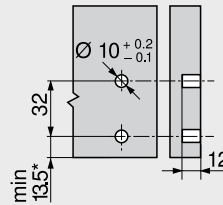
Installation dimensions for screw-on front

FA Front overlay
Drawer Inner drawer

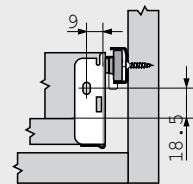


Front drilling dimensions for EXPANDO/knock-in

Drawer



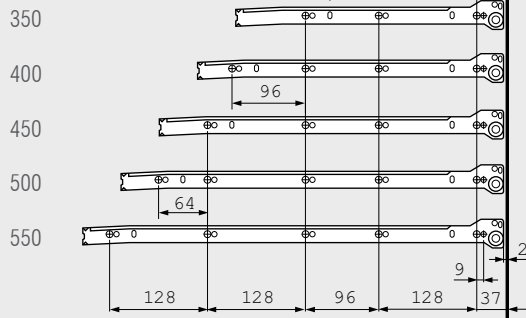
Back installation dimensions



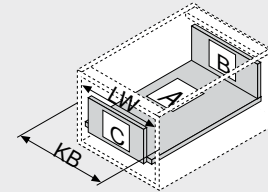
Page Instructions

Cabinet profile screw positions

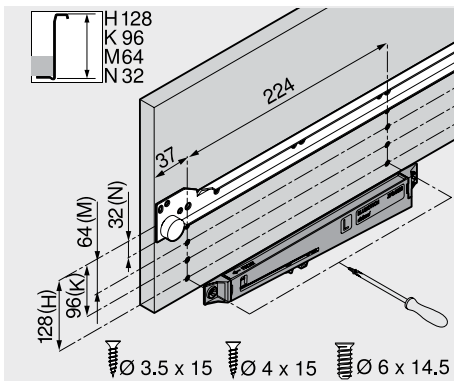
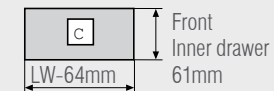
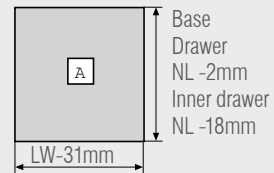
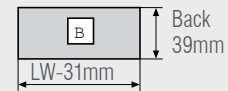
Nominal length NL (mm)



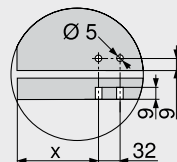
Cutting dimensions for 16mm chipboard



KB Cabinet width
LW Inner cabinet width
NL Nominal length



Base assembly for quick assembly version



	X (mm)
Drawer	69
Inner Drawer	53

Overview - METABOX	A.138	Gallery Rail and BOXSIDE for METABOX	A.148	Assembly, Removal & Adjustment	A.166
Assembly Devices	D	METAFILE for METABOX	A.162	BLUMOTION for METABOX 320 Assembly	A.167
BLUMOTION for METABOX 320	A.164	Accessories	A.163	Blum Warranty	A.0
Industrial Pack METABOX	A.160				

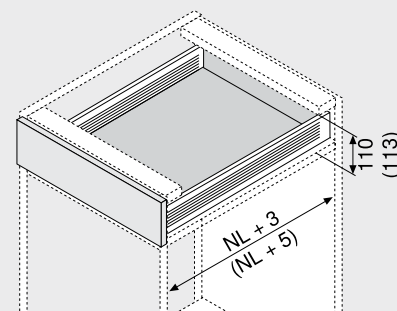
METABOX 320 SINGLE EXTENSION



DRAWER/INNER - M (86MM HIGH SIDES)

- Single extension with 86 mm high Steel drawer side
- Cream Colour (RAL 9001)
- High impact nylon rollers
- Dyn. load bearing 25 kg
- BLUMATIC self closing feature
- 2-dimensional front adjustment
- BLUMOTION for METABOX compatible

Space Requirement



NL - Nominal Length

() - Inner Drawer

1. Cabinet profiles and drawer sides left/right

Nominal Length	Blum No	Code
270	320M2700C15	1-260-270
350	320M3500C15	1-260-350
400	320M4000C15	1-260-400
450	320M4500C15	1-260-450
500	320M5000C15	1-260-500
550	320M5500C15	1-260-550

2a. CLIP Front Fixing Brackets - Screw On

Side	Blum No	Code
Right	ZSF.1200R	1-270-645
Left	ZSF.1200L	1-270-646

CLIP Front Fixing Brackets - Knock In

Side	Blum No	Code
Right	ZSF.1300R	1-270-647
Left	ZSF.1300L	1-270-648

CLIP Front Fixing Brackets - EXPANDO

Side	Blum No	Code
Right	ZSF.1300ER	1-270-649
Left	ZSF.1300EL	1-270-650

Alternative to 2a

2c. Standard front fixing brackets - Screw On

Side	Blum No	Code
Right	ZSF.1700R	1-270-640
Left	ZSF.1700L	1-270-641

Standard front fixing brackets - Knock In

Side	Blum No	Code
Right	ZSF.1800R	1-270-642
Left	ZSF.1800L	1-270-643

2d. Cover Cap to suit Standard Brackets

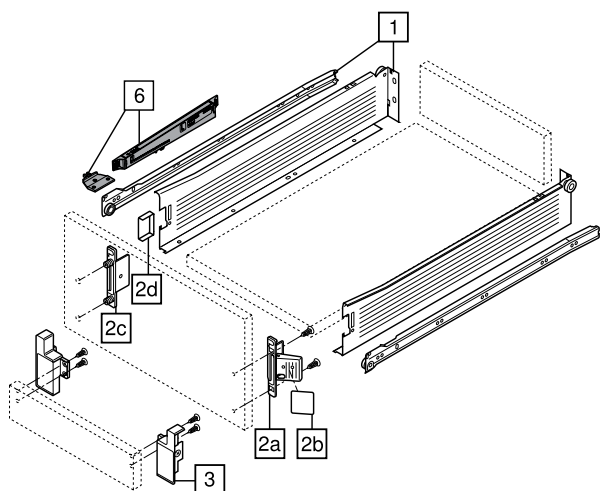
Side	Blum No	Code
Right or Left	ZAA.3500	1-283-647

3. Front fixing brackets for inner drawers - M - Screw On

Side	Blum No	Code
Right	ZSF.3000R	1-272-644
Left	ZSF.3000L	1-272-646

6. BLUMOTION for METABOX 320

Material	Blum No	Code
Nylon	Z70.0320	1-260-000

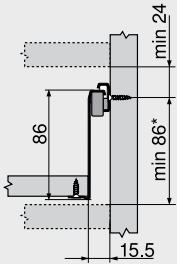


METABOX 320 SINGLE EXTENSION

Planning and installation dimensions

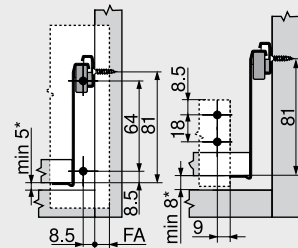
Space requirement in cabinet

- +2mm with BLUMOTION
- +3mm for inner drawer with BLUMOTION



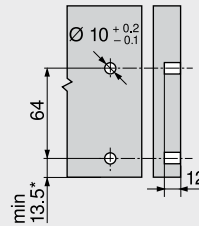
Installation dimensions for screw-on front

FA Front overlay
Drawer Inner drawer

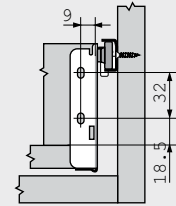


Front drilling dimensions for EXPANDO/knock-in

Drawer



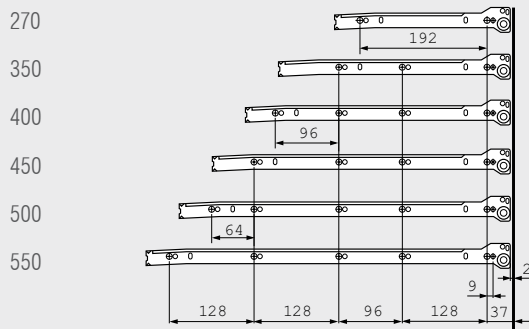
Back installation dimensions



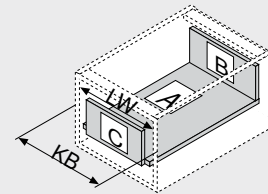
Page Instructions

Cabinet profile screw positions

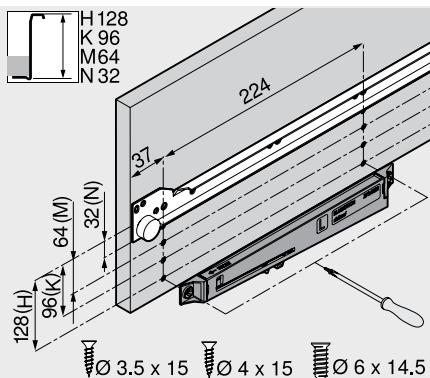
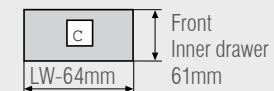
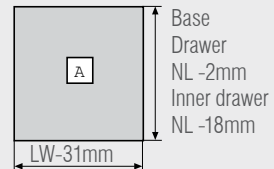
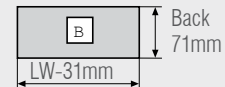
Nominal length NL (mm)



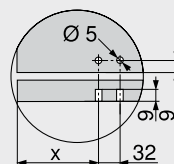
Cutting dimensions for 16mm chipboard



KB Cabinet width
LW Inner cabinet width
NL Nominal length



Base assembly for quick assembly version



	X (mm)
Drawer	69
Inner Drawer	53

Overview - METABOX

A.138

Assembly Devices

D

BLUMOTION for METABOX 320

A.164

Industrial Pack METABOX

A.160

Gallery Rail and BOXSIDE for METABOX

A.148

METAFILE for METABOX

A.162

Accessories

A.163

Assembly, Removal & Adjustment

A.166

BLUMOTION for METABOX 320 Assembly

A.167

Blum Warranty

A.0

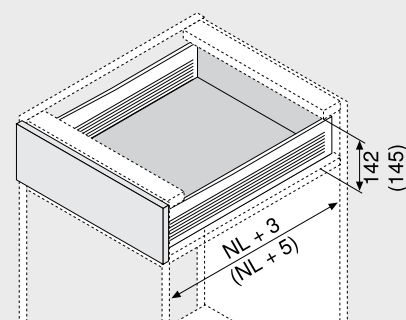
METABOX 320 SINGLE EXTENSION



DRAWER/INNER - K (118MM HIGH SIDES)

- Single extension with 118 mm high Steel drawer side
- Cream Colour (RAL 9001)
- High impact nylon rollers
- Dyn. load bearing 25 kg
- BLUMATIC self closing feature
- 2-dimensional front adjustment
- BLUMOTION for METABOX compatible

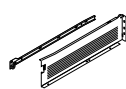
Space Requirement



NL - Nominal Length

() - Inner Drawer

1. Cabinet profiles and drawer sides left/right



Nominal Length	Blum No	Code
250	320K2500C15	1-261-250
350	320K3500C15	1-261-350
400	320K4000C15	1-261-400
450	320K4500C15	1-261-450
500	320K5000C15	1-261-500
550	320K5500C15	1-261-550

2a. CLIP Front Fixing Brackets - Screw On



Side	Blum No	Code
Right	ZSF.1200R	1-270-645
Left	ZSF.1200L	1-270-646

CLIP Front Fixing Brackets - Knock In



Side	Blum No	Code
Right	ZSF.1300R	1-270-647
Left	ZSF.1300L	1-270-648

CLIP Front Fixing Brackets - EXPANDO



Side	Blum No	Code
Right	ZSF.1300ER	1-270-649
Left	ZSF.1300EL	1-270-650

Alternative to 2a

2c. Standard front fixing brackets - Screw On



Side	Blum No	Code
Right	ZSF.1700R	1-270-640
Left	ZSF.1700L	1-270-641

Standard front fixing brackets - Knock In



Side	Blum No	Code
Right	ZSF.1800R	1-270-642
Left	ZSF.1800L	1-270-643

2d. Cover Cap to suit Standard Brackets



Side	Blum No	Code
Right or Left	ZAA.3500	1-283-647

3. Front fixing brackets for inner drawers - K - Screw On



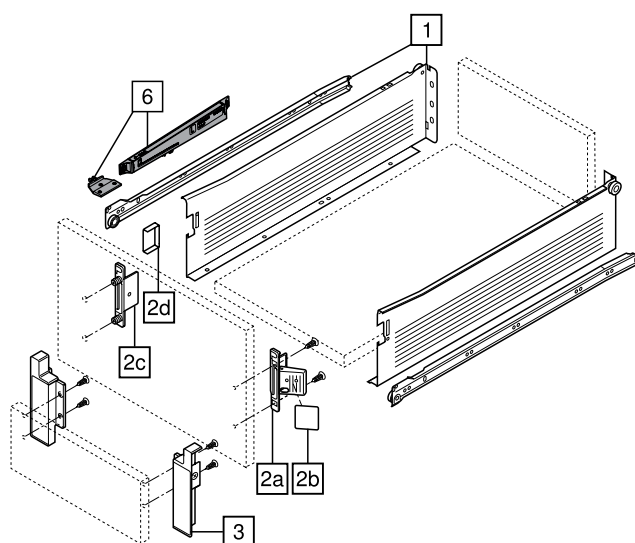
Side	Blum No	Code
Right	ZSF.3030R	1-272-463
Left	ZSF.3030L	1-272-464

Accessories

6. BLUMOTION for METABOX 320



Material	Blum No	Code
Nylon	Z70.0320	1-260-000

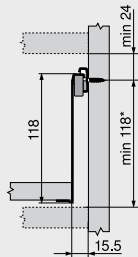


METABOX 320 SINGLE EXTENSION

Planning and installation dimensions

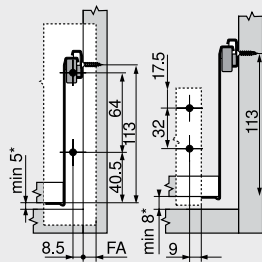
Space requirement in cabinet

- +2mm with BLUMOTION
- +3mm for inner drawer with BLUMOTION



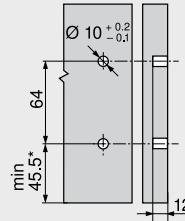
Installation dimensions for screw-on front

FA Front overlay
Drawer Inner drawer

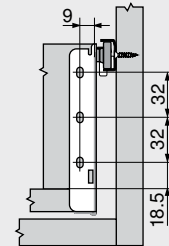


Front drilling dimensions for EXPANDO/knock-in

Drawer



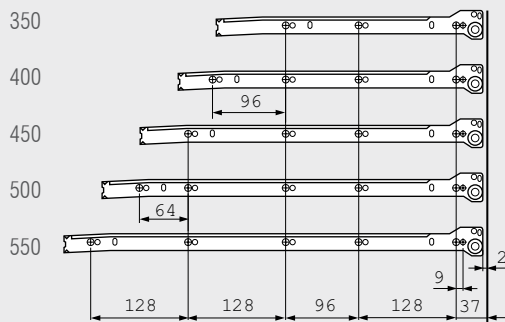
Back installation dimensions



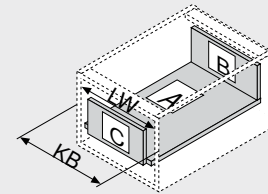
Page Instructions

Cabinet profile screw positions

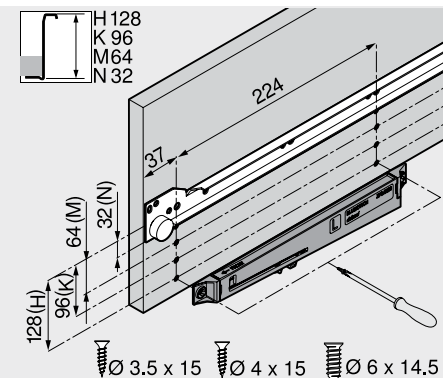
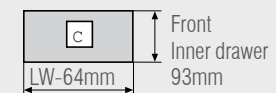
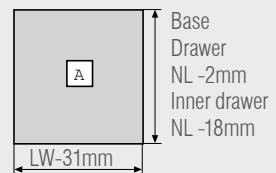
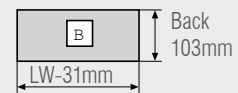
Nominal length NL (mm)



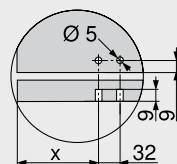
Cutting dimensions for 16mm chipboard



KB Cabinet width
LW Inner cabinet width
NL Nominal length



Base assembly for quick assembly version



	X (mm)
Drawer	69
Inner Drawer	53

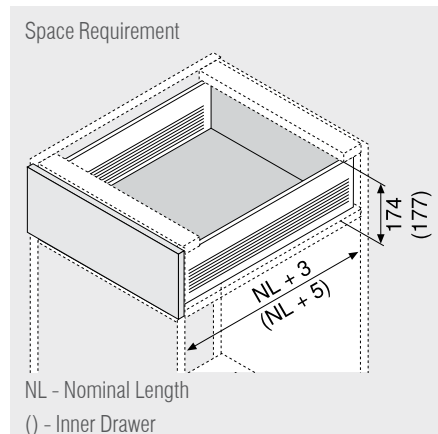
Overview - METABOX	A.138	Gallery Rail and BOXSIDE for METABOX	A.148	Assembly, Removal & Adjustment	A.166
Assembly Devices	D	METAFILE for METABOX	A.162	BLUMOTION for METABOX 320 Assembly	A.167
BLUMOTION for METABOX 320	A.164	Accessories	A.163	Blum Warranty	A.0
Industrial Pack METABOX	A.160				

METABOX 320 SINGLE EXTENSION



DRAWER/INNER - H (150MM HIGH SIDES)

- Single extension with 150 mm high Steel drawer side
- Cream Colour (RAL 9001)
- High impact nylon rollers
- Dyn. load bearing 25 kg
- BLUMATIC self closing feature
- 2-dimensional front adjustment
- BLUMOTION for METABOX compatible



1. Cabinet profiles and drawer sides left/right

Nominal Length	Blum No	Code
350	320H3500C15	1-262-350
400	320H4000C15	1-262-400
450	320H4500C15	1-262-450
500	320H5000C15	1-262-500
550	320H5500C15	1-262-550

2a. CLIP Front Fixing Brackets - Screw On

Side	Blum No	Code
Right	ZSF.1200R	1-270-645
Left	ZSF.1200L	1-270-646

CLIP Front Fixing Brackets - Knock In

Side	Blum No	Code
Right	ZSF.1300R	1-270-647
Left	ZSF.1300L	1-270-648

CLIP Front Fixing Brackets - EXPANDO

Side	Blum No	Code
Right	ZSF.1300ER	1-270-649
Left	ZSF.1300EL	1-270-650

Alternative to 2a

2c. Standard front fixing brackets - Screw On

Side	Blum No	Code
Right	ZSF.1700R	1-270-640
Left	ZSF.1700L	1-270-641

Standard front fixing brackets - Knock In

Side	Blum No	Code
Right	ZSF.1800R	1-270-642
Left	ZSF.1800L	1-270-643

2d. Cover Cap to suit Standard Brackets

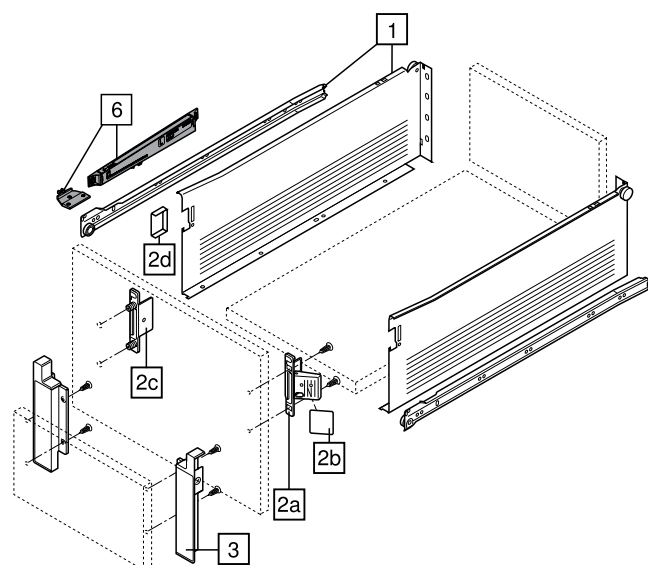
Side	Blum No	Code
Right or Left	ZAA.3500	1-283-647

3. Front fixing brackets for inner drawers - H - Screw On

Side	Blum No	Code
Right	ZSF.3050R	1-272-465
Left	ZSF.3050L	1-272-466

6. BLUMOTION for METABOX 320

Material	Blum No	Code
Nylon	Z70.0320	1-260-000



Drawer Systems

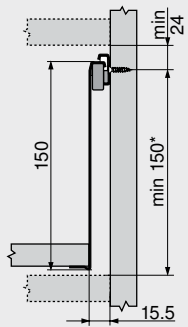


METABOX 320 SINGLE EXTENSION

Planning and installation dimensions

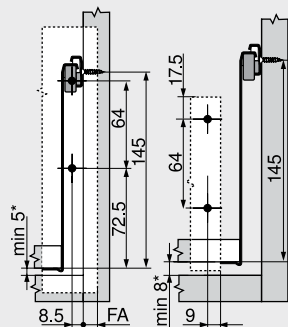
Space requirement in cabinet

- +2mm with BLUMOTION
- +3mm for inner drawer with BLUMOTION



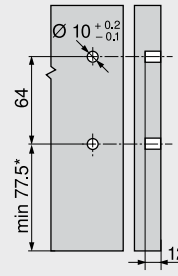
Installation dimensions for screw-on front

FA Front overlay
Drawer Inner drawer

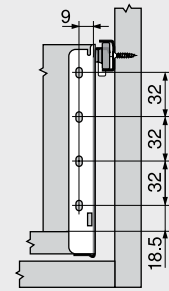


Front drilling dimensions for EXPANDO/knock-in

Drawer



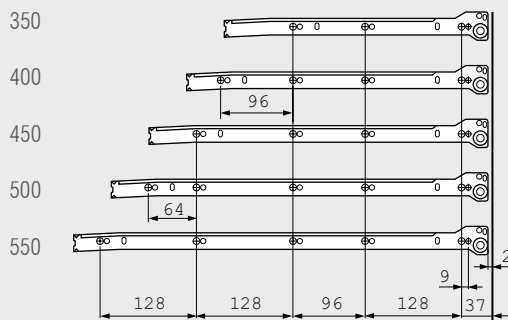
Back installation dimensions



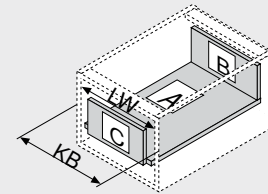
Page Instructions

Cabinet profile screw positions

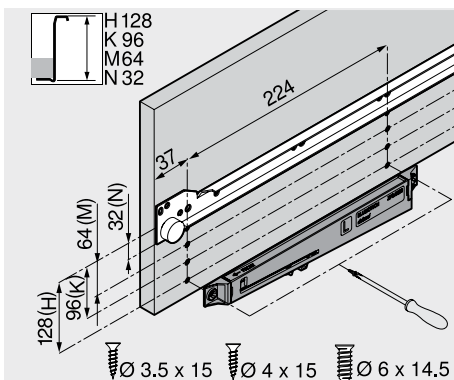
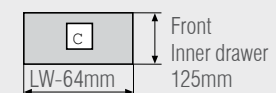
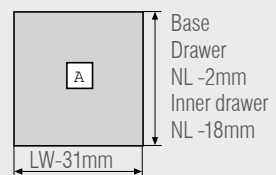
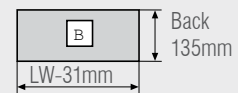
Nominal length NL (mm)



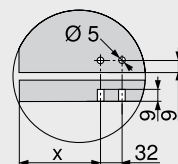
Cutting dimensions for 16mm chipboard



KB Cabinet width
LW Inner cabinet width
NL Nominal length



Base assembly for quick assembly version



	X (mm)
Drawer	69
Inner Drawer	53

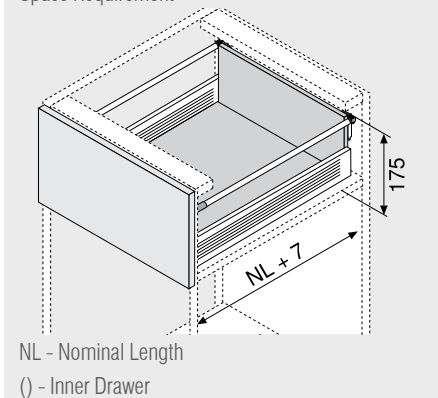
Overview - METABOX	A.138	Gallery Rail and BOXSIDE for METABOX	A.148	Assembly, Removal & Adjustment	A.166
Assembly Devices	D	METAFILE for METABOX	A.162	BLUMOTION for METABOX 320 Assembly	A.167
BLUMOTION for METABOX 320	A.164	Accessories	A.163	Blum Warranty	A.0
Industrial Pack METABOX	A.160				



Drawers, Hinges & Assembly Devices

METABOX 320 SINGLE EXTENSION WITH GALLERY/BOXSIDE

Space Requirement



HIGH FRONTED PULL OUT - GALLERY - B

- For use with 320M nominal Length drawer - selection on page A.142
- Cream Colour (RAL 9001)
- Single extension with 86 mm high Steel drawer side including gallery rail

NOTE: Drawer to be selected from page A.142



4. Longside Gallery Rails with Back Fixing left and right

Nominal Length	Blum No	Code
350	ZRE.321S.1D	1-280-650
400	ZRE.371S.1D	1-280-652
450	ZRE.421S.1D	1-280-654
500	ZRE.471S.1D	1-280-656
550	ZRE.521S.1D	1-280-658

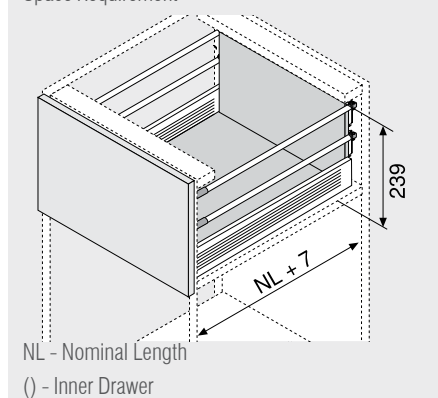


5. METABOX Single-wall BOXSIDE

NOTE: 2 required per drawer

Nominal Length	Blum No	Code
400	Z36M367S	1-240-202
450	Z36M417S	1-240-212
500	Z36M467S	1-240-223
550	Z36M517S	1-240-232

Space Requirement



HIGH FRONTED PULL OUT - DOUBLE GALLERY - D

- For use with 320M nominal Length drawer - selection on page A.142
- Cream Colour (RAL 9001)
- Single extension with 86 mm high Steel drawer side including double gallery rail

NOTE: Drawer to be selected from page A.142

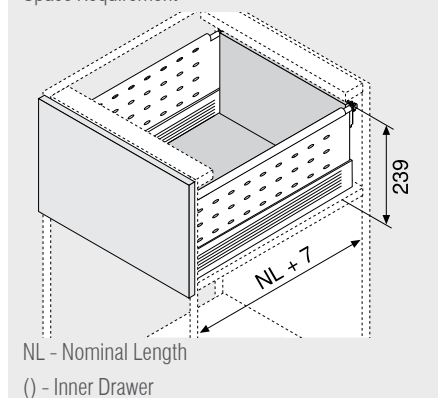


4. Longside Gallery Rails with Back Fixing left and right

NOTE: 2 required per double gallery rail drawer

Nominal Length	Blum No	Code
350	ZRE.321S.1D	1-280-650
400	ZRE.371S.1D	1-280-652
450	ZRE.421S.1D	1-280-654
500	ZRE.471S.1D	1-280-656
550	ZRE.521S.1D	1-280-658

Space Requirement



HIGH FRONTED PULL OUT - BOXSIDE - D

- For use with 320M nominal Length drawer - selection on page A.142
- Cream Colour (RAL 9001)
- Single extension with 86 mm high Steel drawer side including gallery rail and BOXSIDE

NOTE: Drawer to be selected from page A.142



4. Longside Gallery Rails with Back Fixing left and right

Nominal Length	Blum No	Code
400	ZRE.371S.1D	1-280-652
450	ZRE.421S.1D	1-280-654
500	ZRE.471S.1D	1-280-656
550	ZRE.521S.1D	1-280-658



5. METABOX Single-wall BOXSIDE

NOTE: 2 required per drawer

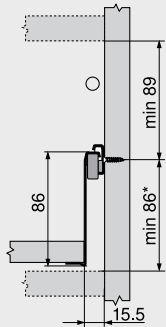
Nominal Length	Blum No	Code
400	Z36H367SE01	1-240-236CR
450	Z36H417SE01	1-240-237
500	Z36H467SE01	1-240-242
550	Z36H517SE01	1-240-247

METABOX 320 SINGLE EXTENSION WITH GALLERY

Planning, High Fronted Pull Out - Gallery - B

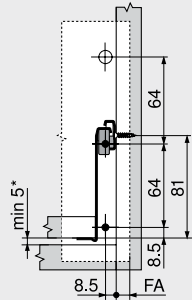
Space requirement in cabinet

- +2mm with BLUMOTION



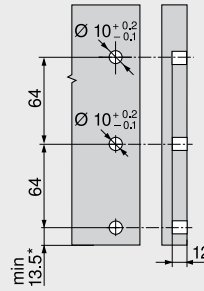
Installation dimensions for screw-on front

FA Front overlay

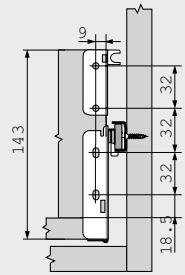


Front drilling dimensions for EXPANDO/knock-in

Drawer



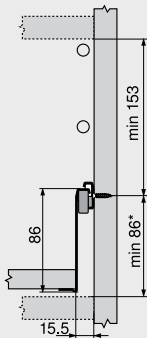
Back installation dimensions



Planning, High Fronted Pull Out - Double Gallery - D/BOXSIDE

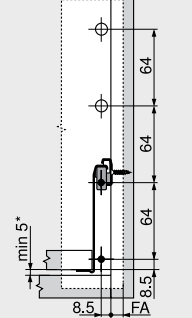
Space requirement in cabinet

- +2mm with BLUMOTION



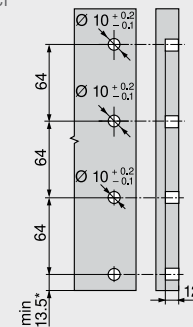
Installation dimensions for screw-on front

FA Front overlay

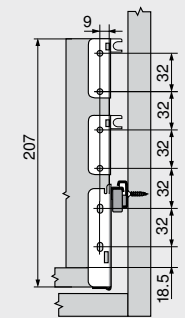


Front drilling dimensions for EXPANDO/knock-in

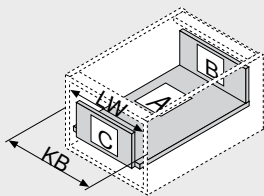
Drawer



Back installation dimensions

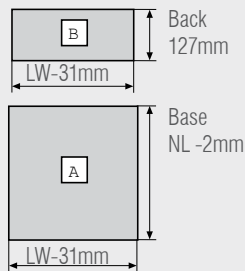


Cutting dimensions

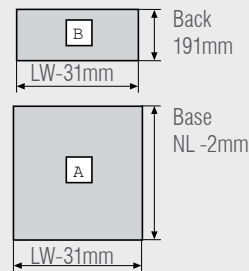


KB Cabinet width
LW Inner cabinet width
NL Nominal length

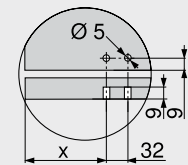
High fronted pull-out - gallery - B cutting dimension



High fronted pull-out - double gallery - D cutting dimension



Base assembly for quick assembly version



	X (mm)
High fronted pull-out	69

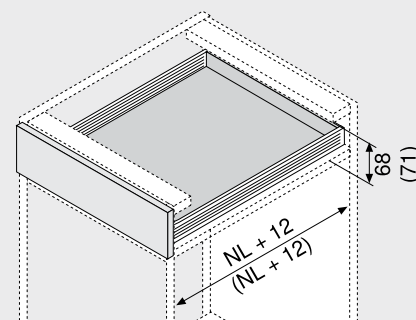




DRAWER/INNER - N (54MM HIGH SIDES)

- Full extension with 54 mm high Steel drawer side
- Cream Colour (RAL 9001)
- High impact nylon rollers
- Dyn. load bearing 30 kg
- BLUMATIC self closing feature
- 2-dimensional front adjustment

Space Requirement



NL - Nominal Length

() - Inner Drawer

1. Cabinet profiles and drawer sides left/right



Nominal Length	Blum No	Code
400	330N4000C15	1-266-400
450	330N4500C15	1-266-450
500	330N5000C15	1-266-500

2c. Standard front fixing brackets - Screw On



Side	Blum No	Code
Right	ZSF.1510R	1-270-634
Left	ZSF.1510L	1-270-635

Standard front fixing brackets - Knock In

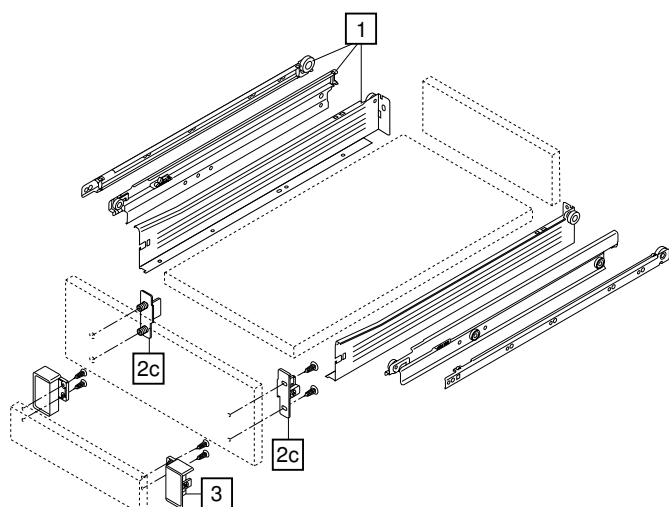


Side	Blum No	Code
Right	ZSF.1610R	1-270-636
Left	ZSF.1610L	1-270-637

3. Front fixing brackets for inner drawers - N - Screw On



Side	Blum No	Code
Right	ZSF.3010R	1-272-461
Left	ZSF.3010L	1-272-462

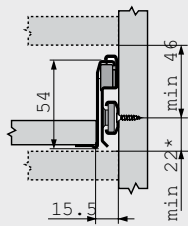


METABOX 330 FULL EXTENSION

Planning

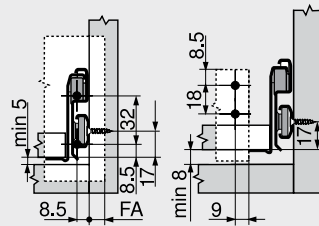
Space requirement in cabinet

- +3mm with inner drawer



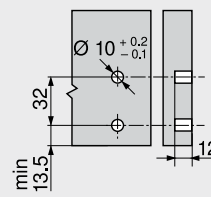
Installation dimensions for screw-on front

FA Front overlay
Drawer Inner drawer

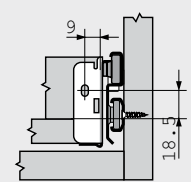


Front drilling dimensions for knock-in

Drawer



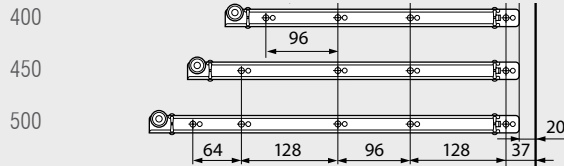
Back installation dimensions



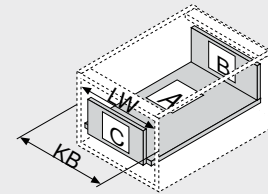
Page Instructions

Cabinet profile screw positions

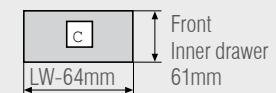
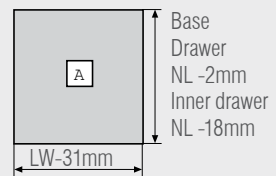
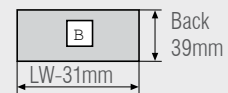
Nominal length NL (mm)



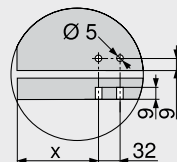
Cutting dimensions for 16mm chipboard



KB Cabinet width
LW Inner cabinet width
NL Nominal length



Base assembly for quick assembly version



	X (mm)
Drawer	69
Inner Drawer	53

Overview - METABOX	A.138	METAFILE for METABOX	A.162	Assembly, Removal & Adjustment	A.166
Assembly Devices	D	Accessories	A.163	Blum Warranty	A.0
Gallery Rail and BOXSIDE for METABOX	A.148				

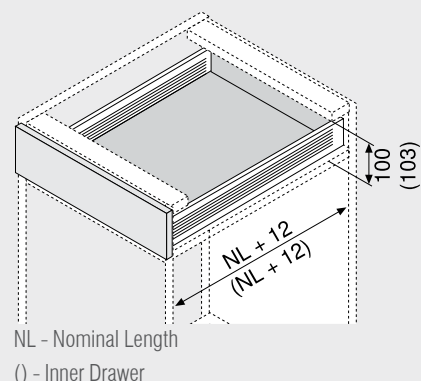
METABOX 330 FULL EXTENSION



DRAWER/INNER - M (86MM HIGH SIDES)

- Full extension with 86 mm high Steel drawer side
- Cream Colour (RAL 9001)
- High impact nylon rollers
- Dyn. load bearing 30 kg
- BLUMATIC self closing feature
- 2-dimensional front adjustment

Space Requirement



A

Drawers, Hinges & Assembly Devices

1. Cabinet profiles and drawer sides left/right

Nominal Length	Blum No	Code
270	330M2700C15	1-267-270
350	330M3500C15	1-267-350
400	330M4000C15	1-267-400
450	330M4500C15	1-267-450
500	330M5000C15	1-267-500
550	330M5500C15	1-267-550

2a. CLIP Front Fixing Brackets - Screw On

Side	Blum No	Code
Right	ZSF.1200R	1-270-645
Left	ZSF.1200L	1-270-646

CLIP Front Fixing Brackets - Knock In

Side	Blum No	Code
Right	ZSF.1300R	1-270-647
Left	ZSF.1300L	1-270-648

CLIP Front Fixing Brackets - EXPANDO

Side	Blum No	Code
Right	ZSF.1300ER	1-270-649
Left	ZSF.1300EL	1-270-650

Alternative to 2a

2c. Standard front fixing brackets - Screw On

Side	Blum No	Code
Right	ZSF.1700R	1-270-640
Left	ZSF.1700L	1-270-641

Standard front fixing brackets - Knock In

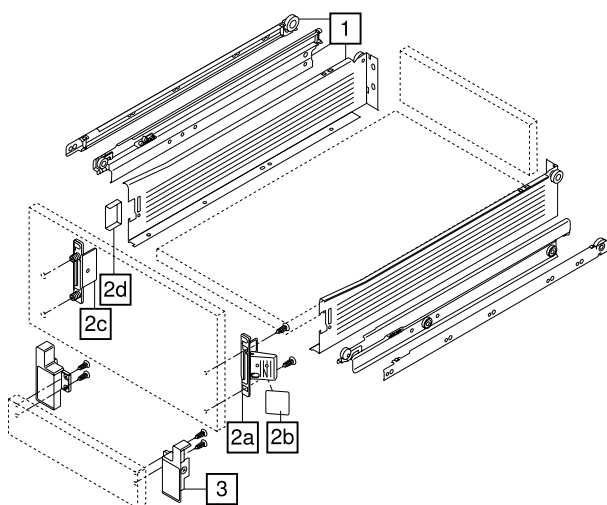
Side	Blum No	Code
Right	ZSF.1800R	1-270-642
Left	ZSF.1800L	1-270-643

2d. Cover Cap to suit Standard Brackets

Side	Blum No	Code
Right or Left	ZAA.3500	1-283-647

3. Front fixing brackets for inner drawers - M - Screw On

Side	Blum No	Code
Right	ZSF.3000R	1-272-644
Left	ZSF.3000L	1-272-646

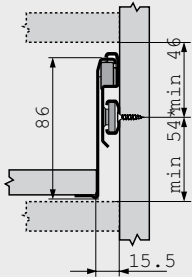


METABOX 330 FULL EXTENSION

Planning

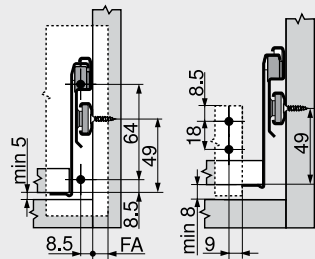
Space requirement in cabinet

- +3mm with inner drawer



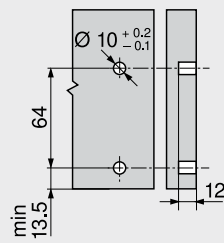
Installation dimensions for screw-on front

FA Front overlay
Drawer Inner drawer

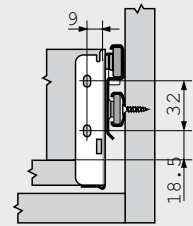


Front drilling dimensions for knock-in

Drawer



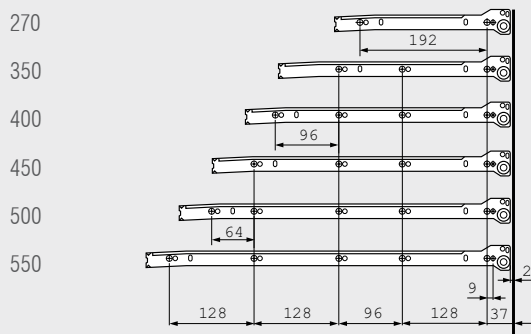
Back installation dimensions



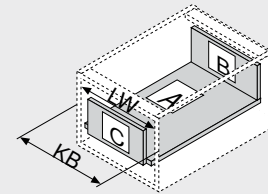
Page Instructions

Cabinet profile screw positions

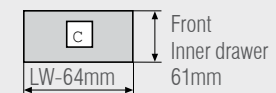
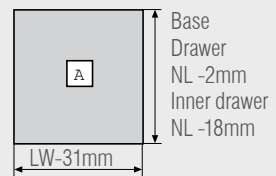
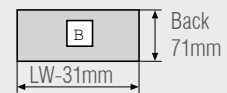
Nominal length NL (mm)



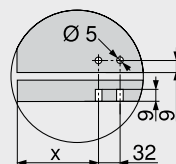
Cutting dimensions for 16mm chipboard



KB Cabinet width
LW Inner cabinet width
NL Nominal length



Base assembly for quick assembly version



	X (mm)
Drawer	69
Inner Drawer	53

Overview - METABOX	A.138	METAFILE for METABOX	A.162	Assembly, Removal & Adjustment	A.166
Assembly Devices	D	Accessories	A.163	Blum Warranty	A.0
Gallery Rail and BOXSIDE for METABOX	A.148				

A

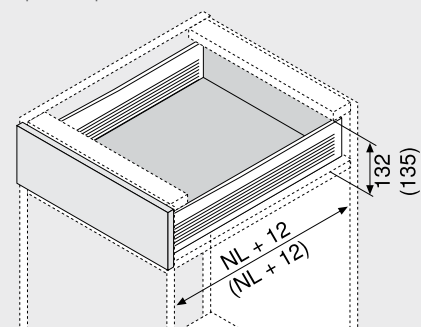
Drawers, Hinges & Assembly Devices



DRAWER/INNER - K (118MM HIGH SIDES)

- Full extension with 118 mm high Steel drawer side
- Cream Colour (RAL 9001)
- High impact nylon rollers
- Dyn. load bearing 30 kg
- BLUMATIC self closing feature
- 2-dimensional front adjustment

Space Requirement



NL - Nominal Length

() - Inner Drawer

1. Cabinet profiles and drawer sides left/right

Nominal Length	Blum No	Code
350	330K3500C15	1-268-350
400	330K4000C15	1-268-400
450	330K4500C15	1-268-450
500	330K5000C15	1-268-500
550	330K5500C15	1-268-550

2a. CLIP Front Fixing Brackets - Screw On

Side	Blum No	Code
Right	ZSF.1200R	1-270-645
Left	ZSF.1200L	1-270-646

CLIP Front Fixing Brackets - Knock In

Side	Blum No	Code
Right	ZSF.1300R	1-270-647
Left	ZSF.1300L	1-270-648

CLIP Front Fixing Brackets - EXPANDO

Side	Blum No	Code
Right	ZSF.1300ER	1-270-649
Left	ZSF.1300EL	1-270-650

Alternative to 2a

2c. Standard front fixing brackets - Screw On

Side	Blum No	Code
Right	ZSF.1700R	1-270-640
Left	ZSF.1700L	1-270-641

Standard front fixing brackets - Knock In

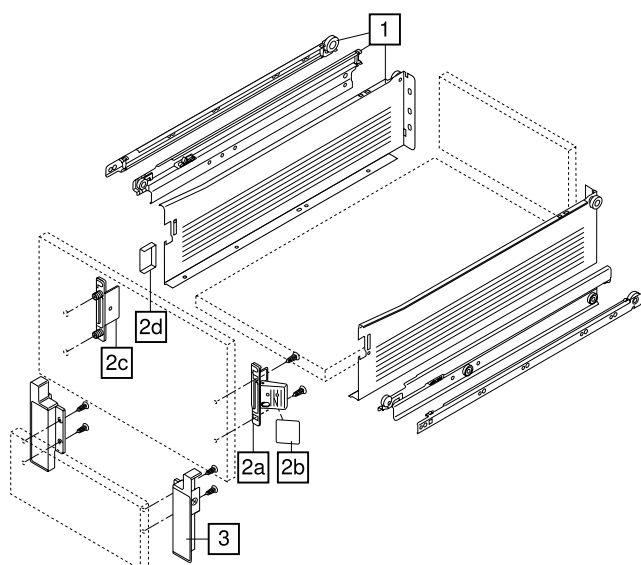
Side	Blum No	Code
Right	ZSF.1800R	1-270-642
Left	ZSF.1800L	1-270-643

2d. Cover Cap to suit Standard Brackets

Side	Blum No	Code
Right or Left	ZAA.3500	1-283-647

3. Front fixing brackets for inner drawers - K - Screw On

Side	Blum No	Code
Right	ZSF.3030R	1-272-463
Left	ZSF.3030L	1-272-464

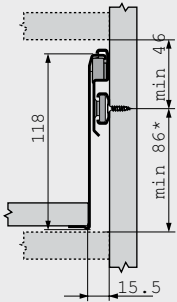


METABOX 330 FULL EXTENSION

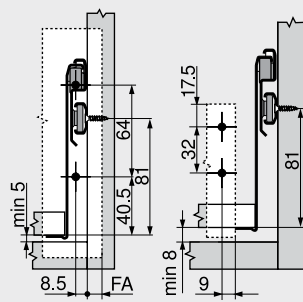
Planning

Space requirement in cabinet

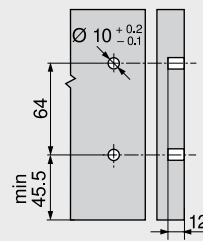
- +3mm for inner drawer



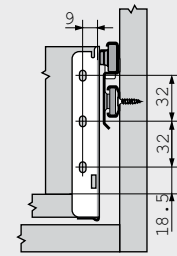
Installation dimensions for screw-on front
 FA Front overlay
 Drawer Inner drawer



Front drilling dimensions for EXPANDO/knock-in
 Drawer



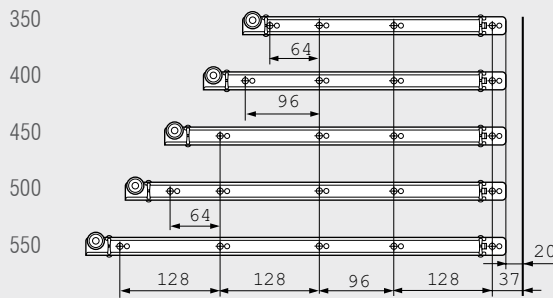
Back installation dimensions



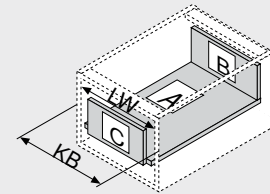
Page Instructions

Cabinet profile screw positions

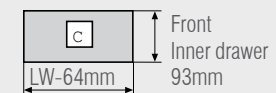
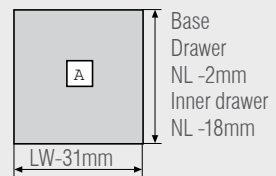
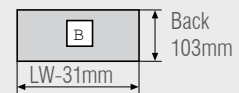
Nominal length NL (mm)



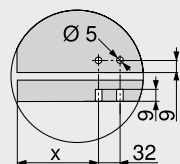
Cutting dimensions for 16mm chipboard



KB Cabinet width
 LW Inner cabinet width
 NL Nominal length



Base assembly for quick assembly version



	X (mm)
Drawer	69
Inner Drawer	53

Overview - METABOX	A.138	METAFILE for METABOX	A.162	Assembly, Removal & Adjustment	A.166
Assembly Devices	D	Accessories	A.163	Blum Warranty	A.0
Gallery Rail and BOXSIDE for METABOX	A.148				

A

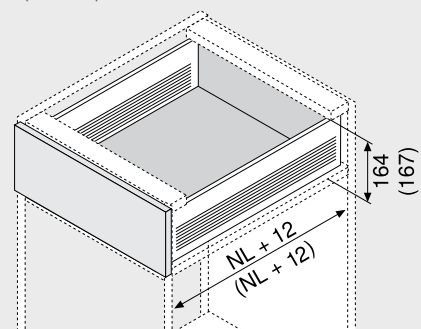
Drawers, Hinges & Assembly Devices



DRAWER/INNER - H (150MM HIGH SIDES)

- Full extension with 150 mm high Steel drawer side
- Cream Colour (RAL 9001)
- High impact nylon rollers
- Dyn. load bearing 30 kg
- BLUMATIC self closing feature
- 2-dimensional front adjustment

Space Requirement



NL - Nominal Length

() - Inner Drawer

1. Cabinet profiles and drawer sides left/right

Nominal Length	Blum No	Code
350	330H3500C15	1-269-350
400	330H4000C15	1-269-400
450	330H4500C15	1-269-450
500	330H5000C15	1-269-500
550	330H5500C15	1-269-550

2a. CLIP Front Fixing Brackets - Screw On

Side	Blum No	Code
Right	ZSF.1200R	1-270-645
Left	ZSF.1200L	1-270-646

CLIP Front Fixing Brackets - Knock In

Side	Blum No	Code
Right	ZSF.1300R	1-270-647
Left	ZSF.1300L	1-270-648

CLIP Front Fixing Brackets - EXPANDO

Side	Blum No	Code
Right	ZSF.1300ER	1-270-649
Left	ZSF.1300EL	1-270-650

Alternative to 2a

2c. Standard front fixing brackets - Screw On

Side	Blum No	Code
Right	ZSF.1700R	1-270-640
Left	ZSF.1700L	1-270-641

Standard front fixing brackets - Knock In

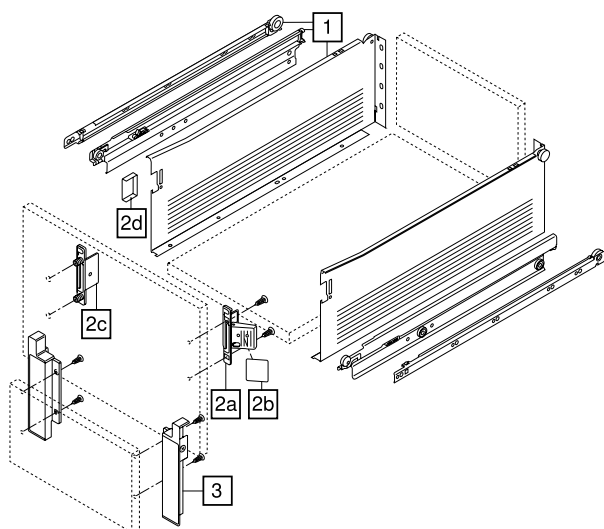
Side	Blum No	Code
Right	ZSF.1800R	1-270-642
Left	ZSF.1800L	1-270-643

2d. Cover Cap to suit Standard Brackets

Side	Blum No	Code
Right or Left	ZAA.3500	1-283-647

3. Front fixing brackets for inner drawers - H - Screw On

Side	Blum No	Code
Right	ZSF.3050R	1-272-465
Left	ZSF.3050L	1-272-466

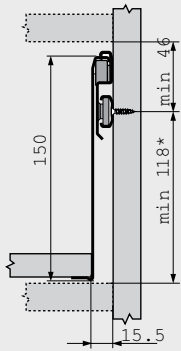


METABOX 330 FULL EXTENSION

Planning

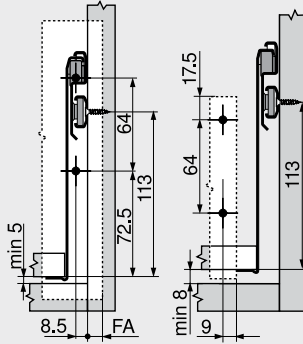
Space requirement in cabinet

- +3mm for inner drawer



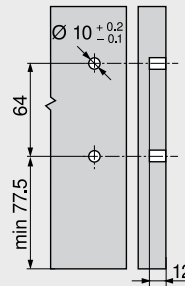
Installation dimensions for screw-on front

FA Front overlay
Drawer Inner drawer

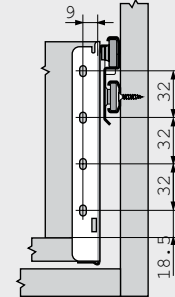


Front drilling dimensions for EXPANDO/knock-in

Drawer



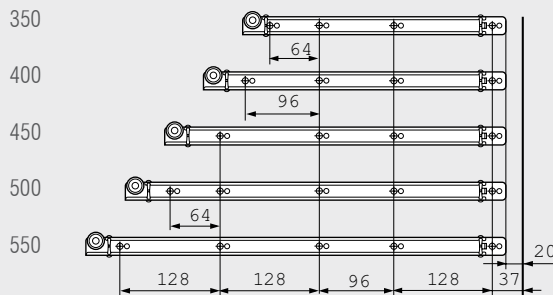
Back installation dimensions



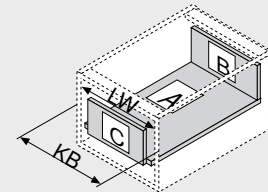
Page Instructions

Cabinet profile screw positions

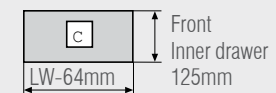
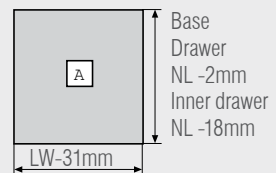
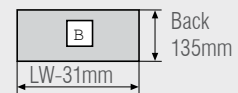
Nominal length NL (mm)



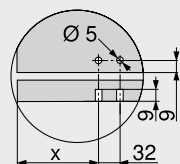
Cutting dimensions for 16mm chipboard



KB Cabinet width
LW Inner cabinet width
NL Nominal length



Base assembly for quick assembly version



	X (mm)
Drawer	69
Inner Drawer	53

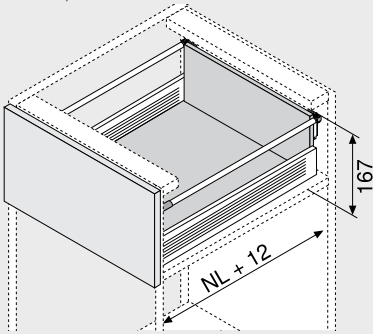
Overview - METABOX	A.138	METAFILE for METABOX	A.162	Assembly, Removal & Adjustment	A.166
Assembly Devices	D	Accessories	A.163	Blum Warranty	A.0
Gallery Rail and BOXSIDE for METABOX	A.148				

METABOX 330 FULL EXTENSION WITH GALLERY/BOXSIDE

A

Drawers, Hinges & Assembly Devices

Space Requirement



NL - Nominal Length
() - Inner Drawer

HIGH FRONTED PULL OUT - GALLERY - B

- For use with 330M nominal Length drawer - selection on page A.152
- Cream Colour (RAL 9001)
- Full extension with 86 mm high Steel drawer side including gallery rail

NOTE: Drawer to be selected from page A.152



4. Longside Gallery Rails with Back Fixing left and right

Nominal Length	Blum No	Code
350	ZRE.321S.1D	1-280-650
400	ZRE.371S.1D	1-280-652
450	ZRE.421S.1D	1-280-654
500	ZRE.471S.1D	1-280-656
550	ZRE.521S.1D	1-280-658

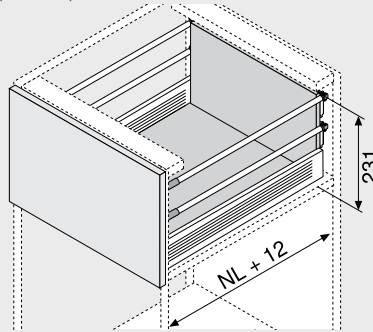


5. METABOX Single-wall BOXSIDE

NOTE: 2 required per drawer

Nominal Length	Blum No	Code
400	Z36M367S	1-240-202
450	Z36M417S	1-240-212
500	Z36M467S	1-240-223
550	Z36M517S	1-240-232

Space Requirement



NL - Nominal Length
() - Inner Drawer

HIGH FRONTED PULL OUT - DOUBLE GALLERY - D

- For use with 330M nominal Length drawer - selection on page A.152
- Cream Colour (RAL 9001)
- Full extension with 86 mm high Steel drawer side including double gallery rail

NOTE: Drawer to be selected from page A.152

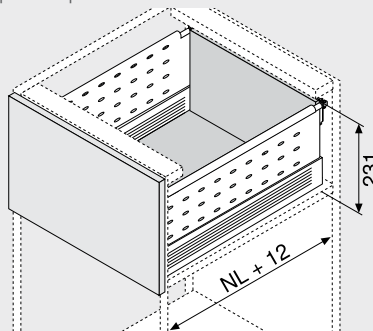


4. Longside Gallery Rails with Back Fixing left and right

NOTE: 2 required per double gallery rail drawer

Nominal Length	Blum No	Code
350	ZRE.321S.1D	1-280-650
400	ZRE.371S.1D	1-280-652
450	ZRE.421S.1D	1-280-654
500	ZRE.471S.1D	1-280-656
550	ZRE.521S.1D	1-280-658

Space Requirement



NL - Nominal Length
() - Inner Drawer

HIGH FRONTED PULL OUT - BOXSIDE - D

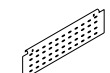
- For use with 330M nominal Length drawer - selection on page A.152
- Cream Colour (RAL 9001)
- Full extension with 86 mm high Steel drawer side including gallery rail and BOXSIDE

NOTE: Drawer to be selected from page A.152



4. Longside Gallery Rails with Back Fixing left and right

Nominal Length	Blum No	Code
400	ZRE.371S.1D	1-280-652
450	ZRE.421S.1D	1-280-654
500	ZRE.471S.1D	1-280-656
550	ZRE.521S.1D	1-280-658



5. METABOX Single-wall BOXSIDE

NOTE: 2 required per drawer

Nominal Length	Blum No	Code
400	Z36H367SE01	1-240-236CR
450	Z36H417SE01	1-240-237
500	Z36H467SE01	1-240-242
550	Z36H517SE01	1-240-247

METABOX 330 FULL EXTENSION WITH GALLERY/BOXSIDE

Planning, High Fronted Pull Out - Gallery - B

<p>Space requirement in cabinet</p>	<p>Installation dimensions for screw-on front FA Front overlay</p>	<p>Front drilling dimensions for EXPANDO/knock-in</p>	<p>Back installation dimensions</p>
-------------------------------------	--	---	-------------------------------------

Planning, High Fronted Pull Out - Double Gallery - D/BOXSIDE

<p>Space requirement in cabinet</p>	<p>Installation dimensions for screw-on front FA Front overlay</p>	<p>Front drilling dimensions for EXPANDO/knock-in</p>	<p>Back installation dimensions</p>
-------------------------------------	--	---	-------------------------------------

Cutting dimensions

<p>KB Cabinet width LW Inner cabinet width NL Nominal length</p>	<p>High fronted pull-out - gallery - B cutting dimension</p>	<p>High fronted pull-out - double gallery - D cutting dimension</p>	<p>Base assembly for quick assembly version</p> <table border="1"> <thead> <tr> <th></th> <th>X (mm)</th> </tr> </thead> <tbody> <tr> <td>High fronted pull-out</td> <td>69</td> </tr> </tbody> </table>		X (mm)	High fronted pull-out	69
	X (mm)						
High fronted pull-out	69						



METABOX 320 - SINGLE EXTENSION - INDUSTRIAL PACK (100 DRAWERS)

A

Drawers, Hinges & Assembly Devices



DRAWER/INNER - M (86MM) - INDUSTRIAL PACK

- 100 x "M" Height drawers supplied
- Single extension
- BLUMOTION for METABOX compatible
- Cream Colour (RAL 9001)



Cabinet profiles and drawer sides left/right
NOTE: 1 = 100 drawer profiles and drawer sides left/right

Nominal Length	Blum No	Code
270	320M2700C15	1-260-270IP
400	320M4000C15	1-260-400IP
450	320M4500C15	1-260-450IP
500	320M5000C15	1-260-500IP



3. Front fixing brackets for inner drawers - M - Screw On

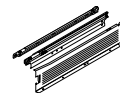
NOTE: Sold as EA

Side	Box Qty	Blum No	Code
Right	20	ZSF.3000R	1-272-644
Left	20	ZSF.3000L	1-272-646



DRAWER/INNER - K (118MM) - INDUSTRIAL PACK

- 100 x "K" Height drawers supplied
- Single extension
- BLUMOTION for METABOX compatible
- Cream Colour (RAL 9001)



Cabinet profiles and drawer sides left/right
NOTE: 1 = 100 drawer profiles and drawer sides left/right

Nominal Length	Blum No	Code
400	320K4000C15	1-261-400IP
450	320K4500C15	1-261-450IP
500	320K5000C15	1-261-500IP



3. Front fixing brackets for inner drawers - K - Screw On

NOTE: Sold as EA

Side	Box Qty	Blum No	Code
Right	20	ZSF.3030R	1-272-463
Left	20	ZSF.3030L	1-272-464



DRAWER/INNER - H (150MM) - INDUSTRIAL PACK

- 100 x "H" Height drawers supplied
- Single extension
- BLUMOTION for METABOX compatible
- Cream Colour (RAL 9001)



Cabinet profiles and drawer sides left/right
NOTE: 1 = 100 drawer profiles and drawer sides left/right

Nominal Length	Blum No	Code
500	320H5000C15	1-262-500IP



3. Front fixing brackets for inner drawers - H - Screw On

NOTE: Sold as EA

Side	Box Qty	Blum No	Code
Right	20	ZSF.3050R	1-272-465
Left	20	ZSF.3050L	1-272-466

Overview - METABOX	A.138
Assembly Devices	D
BLUMOTION for METABOX 320	A.164

Gallery Rail and BOXSIDE for METABOX	A.148
METAFILE for METABOX	A.162
Accessories	A.163

Assembly, Removal & Adjustment	A.166
BLUMOTION for METABOX 320 Assembly	A.167
Blum Warranty	A.0

OPTIONAL ITEMS



2a. CLIP Front Fixing Brackets - Screw On

NOTE: Sold as EA

Side	Box Qty	Blum No	Code
Right	250	ZSF.1200R	1-270-645
Left	250	ZSF.1200L	1-270-646



CLIP Front Fixing Brackets - Knock In

NOTE: Sold as EA

Side	Box Qty	Blum No	Code
Right	250	ZSF.1300R	1-270-647
Left	250	ZSF.1300L	1-270-648



CLIP Front Fixing Brackets - EXPANDO

Side	Box Qty	Blum No	Code
Right	250	ZSF.1300ER	1-270-649
Left	250	ZSF.1300EL	1-270-650



Alternative to 2a

2c. Standard front fixing brackets - Screw On

NOTE: Sold as EA

Side	Box Qty	Blum No	Code
Right	250	ZSF.1700R	1-270-640
Left	250	ZSF.1700L	1-270-641



Standard front fixing brackets - Knock In

NOTE: Sold as EA

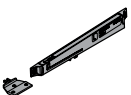
Side	Box Qty	Blum No	Code
Right	250	ZSF.1800R	1-270-642
Left	250	ZSF.1800L	1-270-643



2d. Cover Cap to suit Standard Brackets

NOTE: Sold as EA

Side	Box Qty	Blum No	Code
Right or Left	250	ZAA.3500	1-283-647



6. BLUMOTION for METABOX 320

NOTE: Sold as EA

Material	Box Qty	Blum No	Code
Nylon	50	Z70.0320	1-260-000

METAFILE

METAFILE - FILE DRAWER

- Nominal length 450 to 550 mm
- Cabinet width 275 up to 600 mm
- Material: nylon/steel
- Colour: RAL 9001 cream

Description	Blum No	Code
METAFILE Set	ZRM.5500	1-281-661

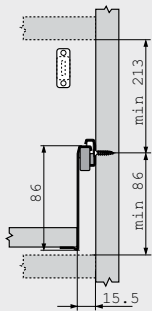
METAFILE Parts (sold separately)



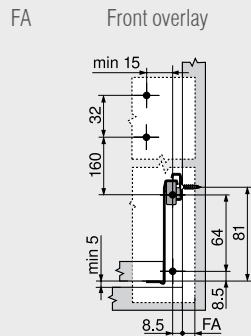
Description	Blum No	Code
Fixing for METAFILE ①	ZRM.0005	1-281-610
Cover for METAFILE ②	ZRM.0003	1-281-611

Planning - 320M

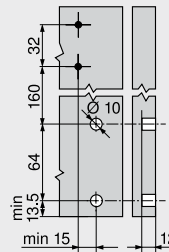
Space requirement in cabinet



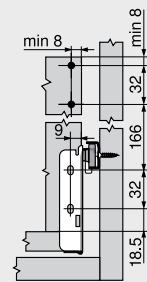
Installation dimensions for screw-on front



Front drilling dimensions for EXPANDO/knock-in

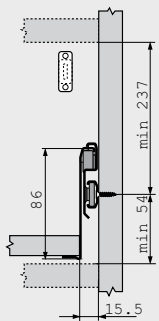


Back installation dimensions

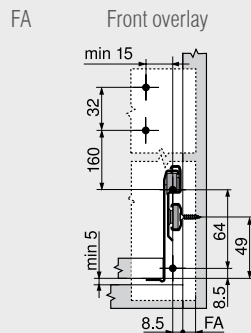


Planning - 330M

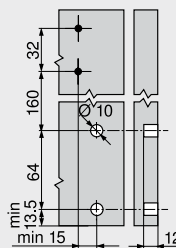
Space requirement in cabinet



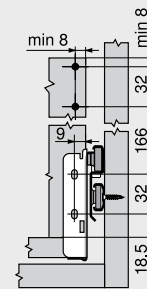
Installation dimensions for screw-on front



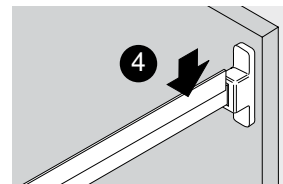
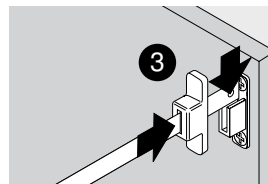
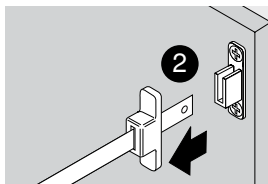
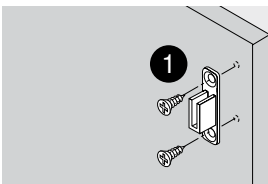
Front drilling dimensions for EXPANDO/knock-in



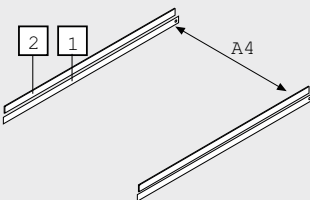
Back installation dimensions



Assembly



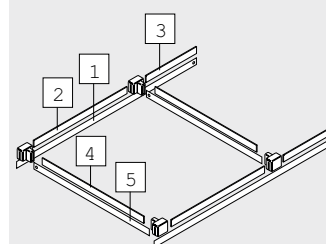
DIN-A4 cutting dimensions across



Min. internal width = 376 mm

- [1] Nominal length - 28 mm
- [2] Nominal length - 53 mm

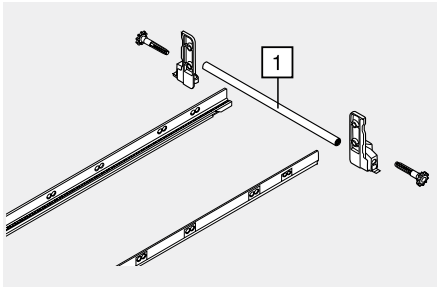
DIN-A4 cutting dimensions lengthwise



Min. nominal length = 500 mm

- [1] Nominal length - 28 mm
- [2] 305 mm
- [3] Nominal length - 406 mm
- [4] Internal cabinet width - 82 mm
- [5] Internal cabinet width - 59 mm

METABOX - ACCESSORIES



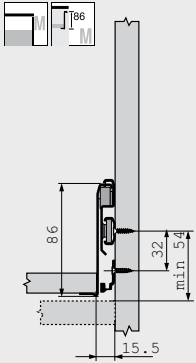
SIDE STABILISATION - INSTALLED AT THE BACK

- For 330 full extension drawers with wooden back
- Additional stabilisation for extra wide drawers and high fronted pull-outs
- Recommendation: cabinet width 900 to 1200 mm

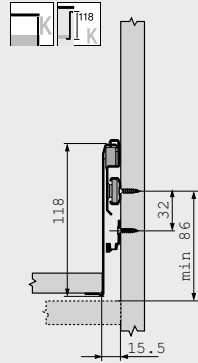
Nominal Length	Blum No	Code
500	ZST.500MH	1-283-611

Planning

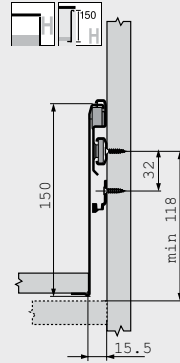
Space requirement in cabinet



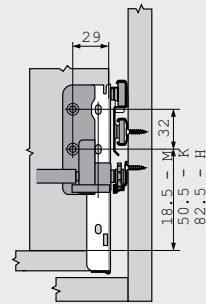
Space requirement in cabinet



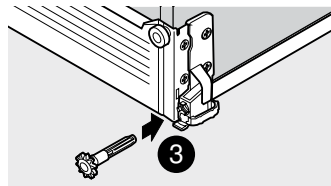
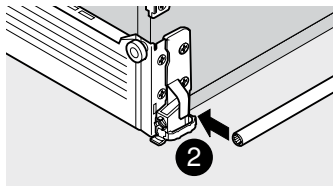
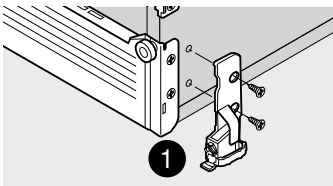
Space requirement in cabinet



Installation dimensions height M, K and H



Assembly



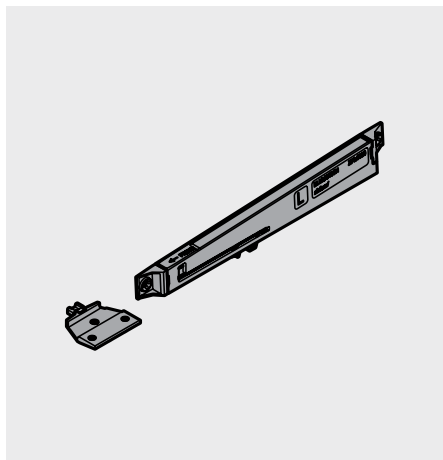
A

Drawers, Hinges & Assembly Devices

METABOX - ACCESSORIES

A

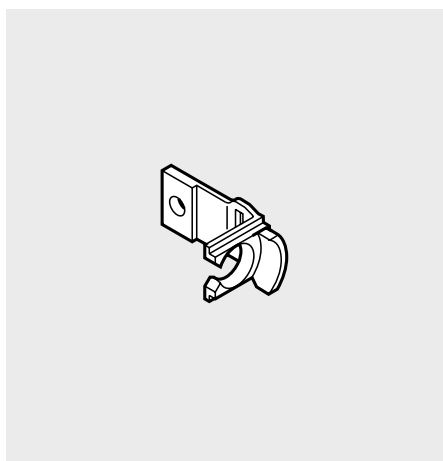
Drawers, Hinges & Assembly Devices



BLUMOTION FOR METABOX 320 (SINGLE EXTENSION)

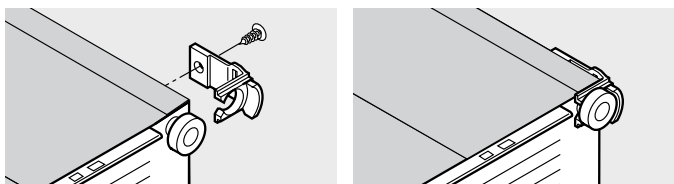
- For single extension
- Dyn. load bearing 25 kg
- Only one BLUMOTION unit required up to cabinet width KB 900 mm
- Material: nylon; RAL 9001 cream

Description	Blum No	Code
BLUMOTION for METABOX 320	Z70.0320	1-260-000

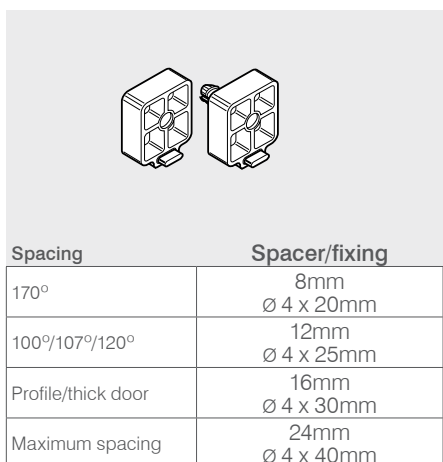


POSISTOP 320

- Stop in runner system
- Developed to relieve pressure on the drawer front
- For single extension
- Produces either a 1.5 or 3 mm gap
- Symmetrical
- Material: nylon, natural coloured



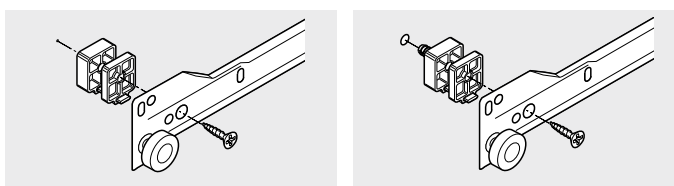
Description	Blum No	Code
1.5mm	298.3210.01	1-283-606



SPACERS

- For inner drawers with single extensions (320)
- To space drawers beyond the door protrusion
- Stacking possible (up to 24 mm)
- Screw fixing with version available for predrilled
- Ø 5 mm holes
- Colour RAL 9001 cream

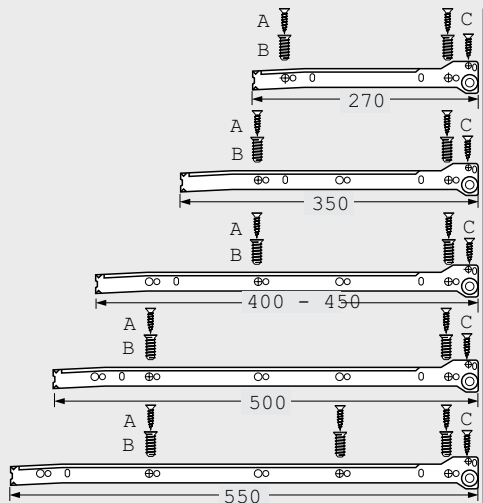
Spacing	Spacer/fixing
170°	8mm Ø 4 x 20mm
100°/107°/120°	12mm Ø 4 x 25mm
Profile/thick door	16mm Ø 4 x 30mm
Maximum spacing	24mm Ø 4 x 40mm



Spacing	Blum No	Code
8mm	320M0088	1-283-601
8mm with dowels Ø 5mm	320M0188	1-283-602

CABINET FIXING POSITIONS

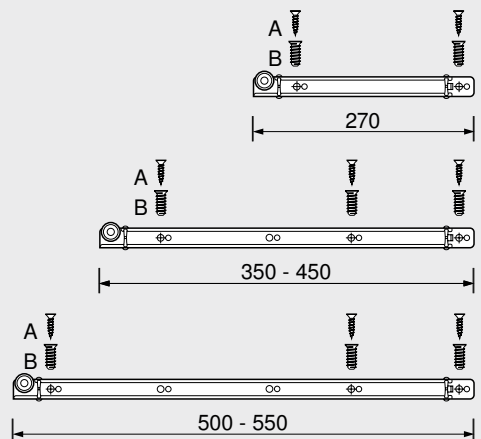
Cabinet profile 320 - 25 kg



Fixing onto cabinet

- A Chipboard screws Ø 4 x 15 mm
- B Chipboard screws, part no. 661.1450.HG
- C Chipboard screws Ø 3.5 x 15 mm for high fronted pull-out

Cabinet profile 330 - 30 kg

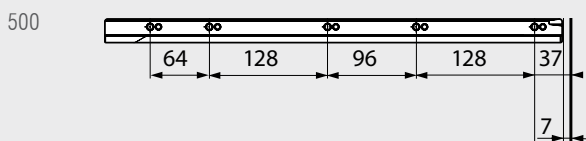


Fixing onto cabinet

- A Chipboard screws Ø 4 x 15 mm
- B Chipboard screws, part no. 661.1450.HG

Side stabilisation - installed at the back

Nominal length NL (mm)



Min. internal cabinet depth = nominal length NL + 25 mm

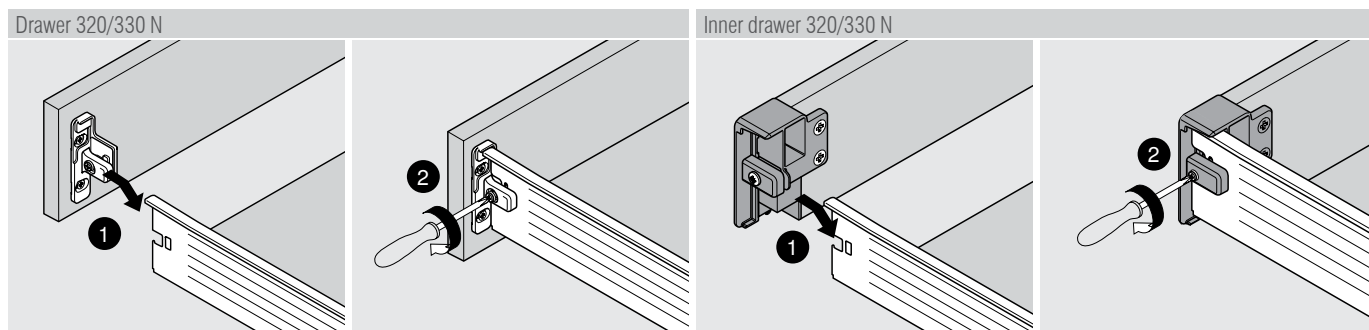


Drawers, Hinges & Assembly Devices

METABOX - ASSEMBLY, REMOVAL, AND ADJUSTMENT

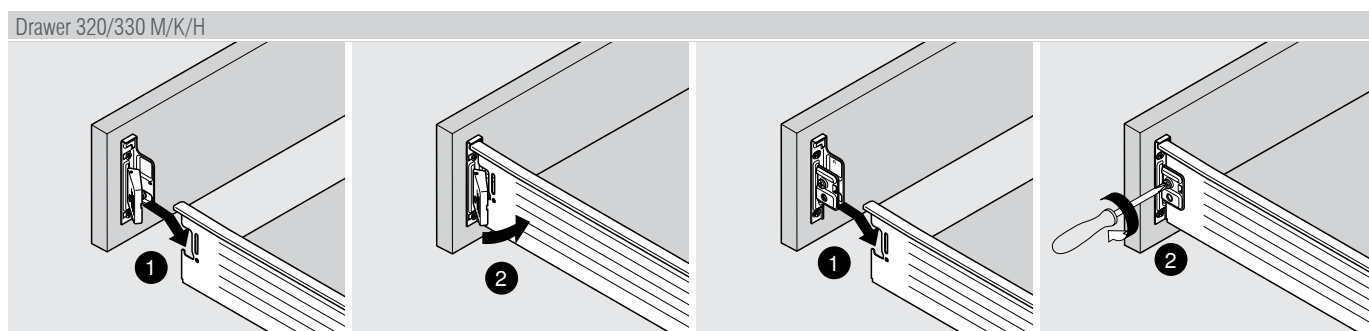
A

Drawers, Hinges & Assembly Devices



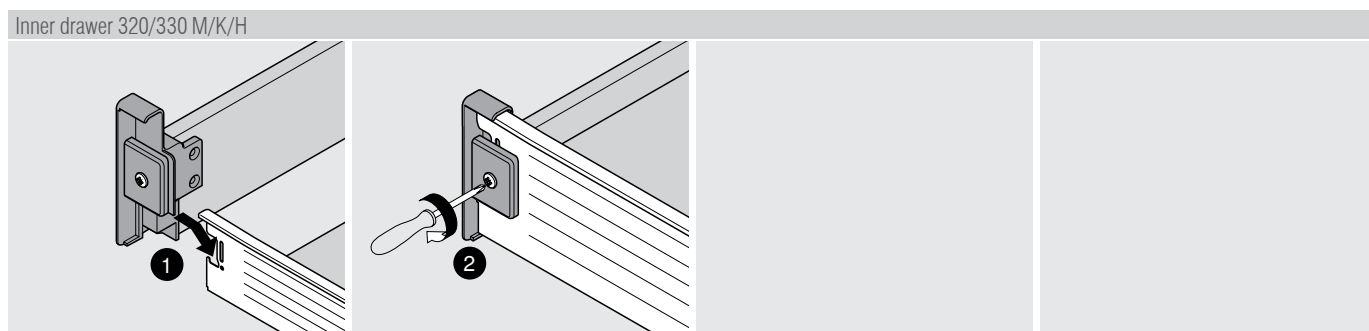
Drawer 320/330 N
ZSF.1510/1610
Assembly

Inner drawer 320/330 N
Assembly

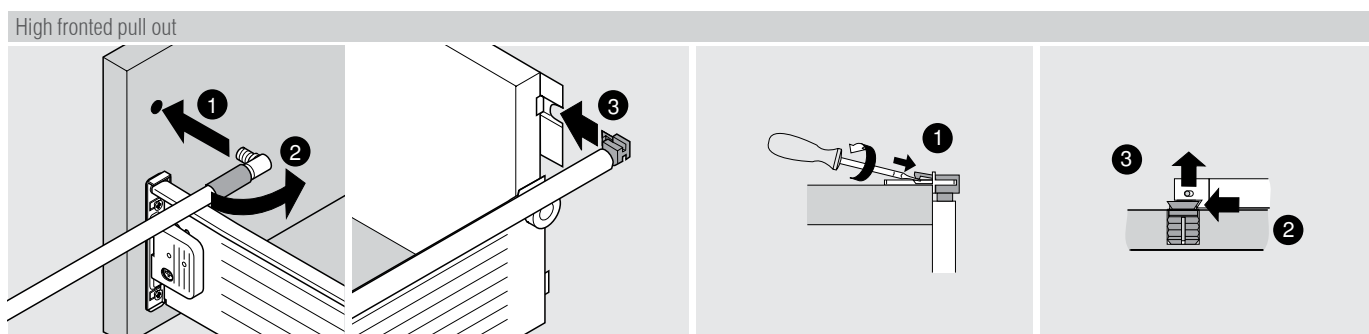


Drawer 320/330 M/K/H
ZSF.1200/1300/130E
Assembly

Inner drawer 320/330 M/K/H
ZSF.1700/1800
Assembly



Inner drawer 320/330 M/K/H
Assembly



High fronted pull out
Front assembly

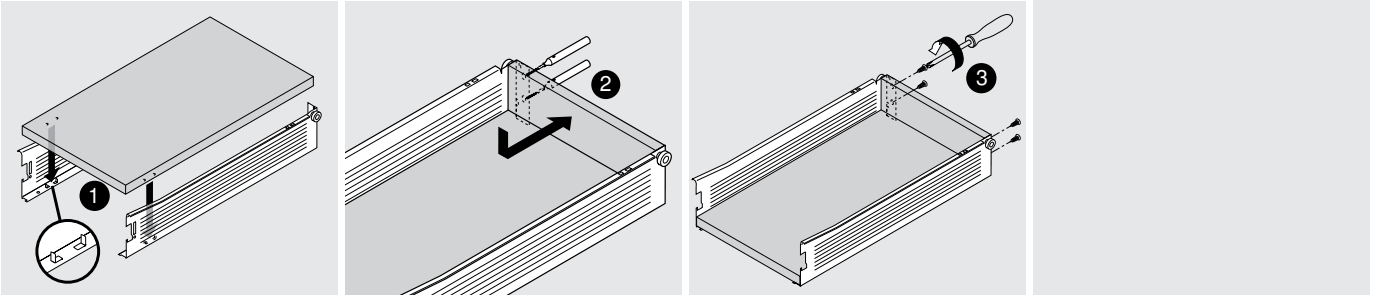
Back assembly

Back removal

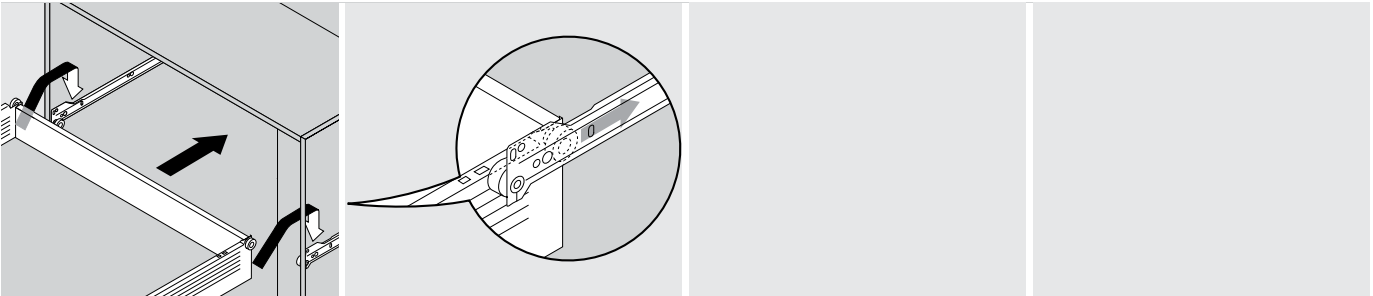
Front removal

METABOX - ASSEMBLY, REMOVAL, AND ADJUSTMENT

Drawer – chipboard back

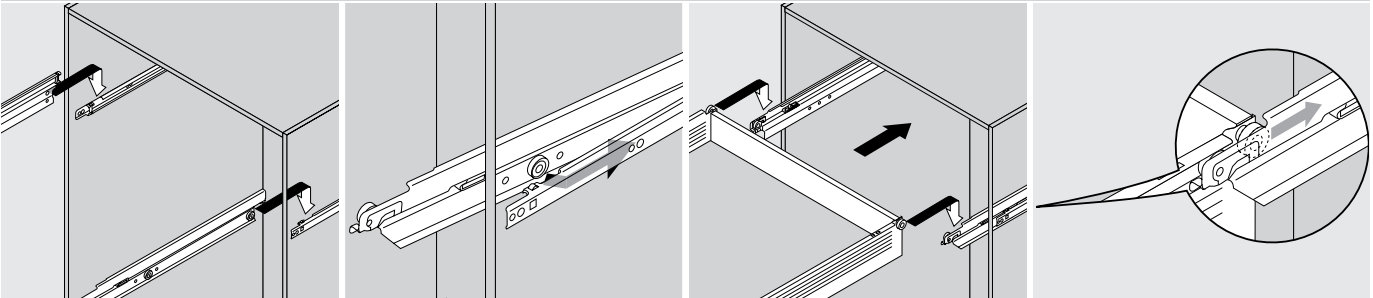


Drawer insertion and removal



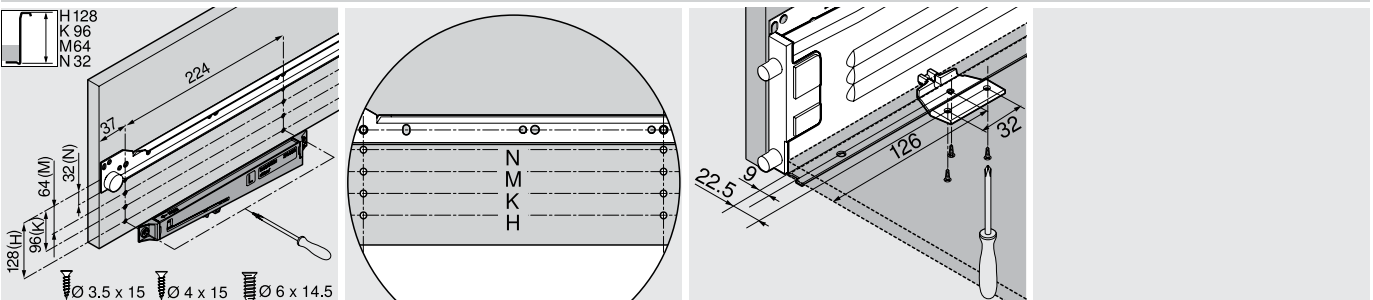
320

Drawer insertion and removal



330

BLUMOTION for METABOX 320

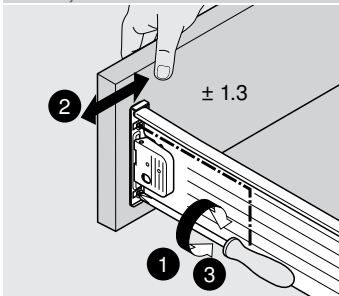


METABOX - ASSEMBLY, REMOVAL, AND ADJUSTMENT

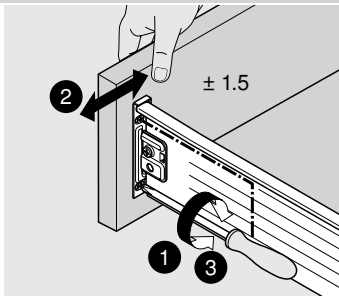
A

Drawers, Hinges & Assembly Devices

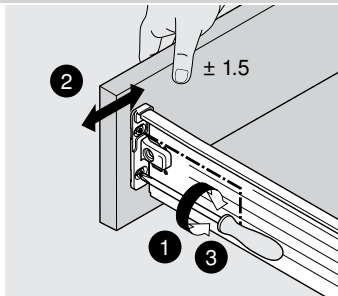
Side adjustment



ZSF.1200/1300/130E

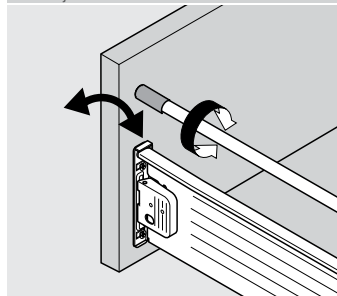


ZSF.1700/1800



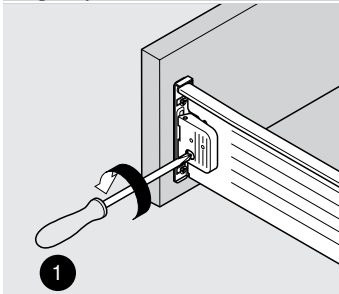
ZSF.1510/1610

Tilt adjustment

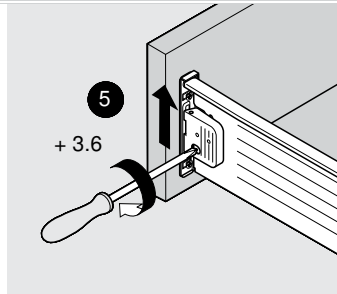
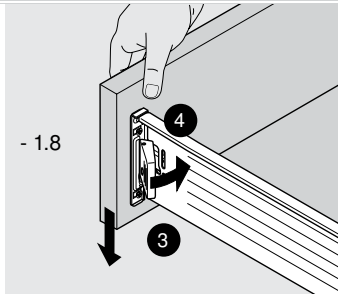
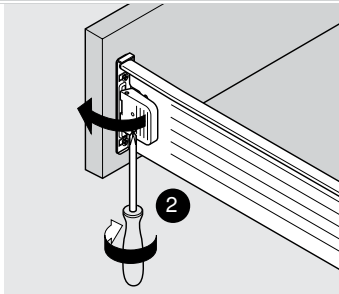


ZSF.1200/1300/130E/1700

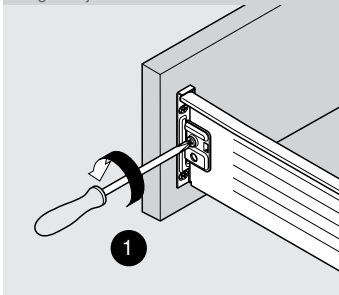
Height adjustment



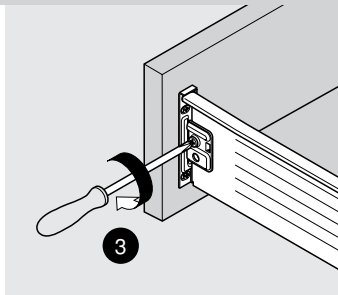
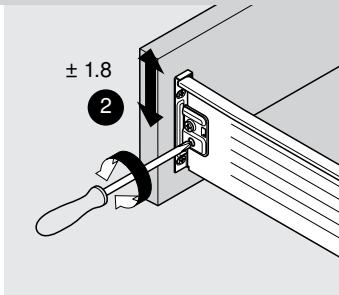
ZSF.1200/1300/130E



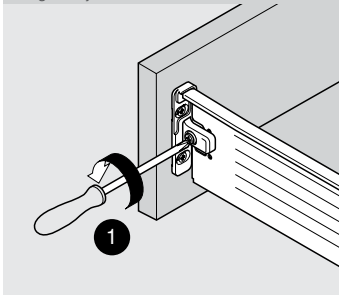
Height adjustment



ZSF.1700/1800



Height adjustment



ZSF.1510/1610

